

Washdown Scales

# SC/SE

Series



**SUBMERSIBLE**



**AND** ...Clearly a Better Value  
A&D Company, Limited  
<http://www.aandd.jp>

# *IP68 Washdown – A New Standard of Platform Scales for Harsh Environments*

*The SC/SE Series, equipped with a completely sealed indicator, achieves a submersible level of watertightness\*, while providing high accessibility and excellent weighing performance, including stabilization in just 1 second! \* 1 m under water for 24 hours*



**SC Series**  
*Premium Resistance to Hostile Environments!*

Stainless steel  
(SUS304) frame



SC-30KAM  
60KAM  
150KAM



SC-60KAL  
150KAL



# SE Series

## High Resistance to Hostile Environments!

Steel frame



SE-30KAM  
60KAM  
150KAM



SE-60KAL  
150KAL



## Features

- IP68 dust and water-proof (submersible)
- Washdown construction for easy cleaning
- 4500 hours of continuous operation with 6 D batteries<sup>i</sup>
- Supersized LCD of 39 mm character height
- Easily switchable, multiple weighing units (kg, lb, oz, and pcs)
- High speed stabilization of 1 second
- Stainless steel weighing pan (SC: SUS304, SE: SUS430)
- Waterproof and corrosion-resistant load cell<sup>ii</sup>
- Quick USB interface<sup>iii</sup> and RS-232C + comparator relay output available as options

i) Batteries are not included.

ii) Aluminum anodized and coated with epoxy resin with protective silicon over wiring.

iii) Cables are not included.



Easily removable battery unit



Battery life indicator



## Specifications

|   |              | SC-30KAM<br>SE-30KAM   | SC-60KAM<br>SE-60KAM | SC-150KAM<br>SE-150KAM | SC-60KAL<br>SE-60KAL            | SC-150KAL<br>SE-150KAL |
|---|--------------|--|----------------------|------------------------|---------------------------------|------------------------|
| kg                                      | Capacity     | 30   | 60                   | 150                    | 60                              | 150                    |
|   | Min. display | 0.01<br>0.005 *  | 0.02<br>0.01 *       | 0.05<br>0.02 *         | 0.02<br>0.01 *                  | 0.05<br>0.02 *         |
| lb                                      | Capacity     | 66   | 130                  | 330                    | 130                             | 330                    |
|   | Min. display | 0.02<br>0.01 *   | 0.05<br>0.02 *       | 0.1<br>0.05 *          | 0.05<br>0.02 *                  | 0.1<br>0.05 *          |
| oz                                      | Capacity     | 1050   | 2100                 | 5200                   | 2100                            | 5200                   |
|   | Min. display | 0.5<br>0.2 *   | 1<br>0.5 *           | 2<br>1 *               | 1<br>0.5 *                      | 2<br>1 *               |
| Number of samples                       |              | 5 pieces (Can be changed to 10, 20, 50 or 100)                       |                      |                        |                                 |                        |
| Maximum count                           |              | 60,000 pcs   | 60,000 pcs           | 75,000 pcs             | 60,000 pcs                      | 75,000 pcs             |
| Minimum unit weight                     |              | 0.0005 kg  | 0.001 kg             | 0.002 kg               | 0.001 kg                        | 0.002 kg               |
| Repeatability<br>(Std. deviation)       |              | 0.005 kg   | 0.01 kg              | 0.02 kg                | 0.01 kg                         | 0.02 kg                |
| Linearity                               |              | ±0.01 kg   | ±0.02 kg             | ±0.05 kg               | ±0.02 kg                        | ±0.05 kg               |
| Sensitivity drift                       |              | ±20 ppm / °C (5 °C to 35 °C / 41 °F to 95 °F)                        |                      |                        |                                 |                        |
| Display                                 |              | 7 segment LCD (Character height: 39 mm)                              |                      |                        |                                 |                        |
| Display update                          |              | 10 times per second  |                      |                        |                                 |                        |
| Operating conditions                    |              | -10 °C to 40 °C / 14 °F to 104 °F, 85%R.H. or less (no condensation) |                      |                        |                                 |                        |
| Power supply                            |              | Size D (R20P / LR20) batteries x 6                                   |                      |                        |                                 |                        |
| Battery operation                       |              | Approximately 4,500 hours using alkaline batteries                   |                      |                        |                                 |                        |
| Weighing pan size                       |              | 300 x 380 mm / 11.8 x 15.0 in.                                       |                      |                        | 390 x 530 mm / 15.4 x 20.9 in.  |                        |
| Dimensions                              | SC           | 300(W) x 543(D) x 717(H) mm  |                      |                        | 390(W) x 688(D) x 717(H) mm     |                        |
|   |              | 11.8(W) x 21.4(D) x 28.2(H) in.                                      |                      |                        | 15.4(W) x 27.1(D) x 28.2(H) in. |                        |
|   | SE           | 300(W) x 582(D) x 722(H) mm  |                      |                        | 390(W) x 732(D) x 722(H) mm     |                        |
|   |              | 11.8(W) x 22.9(D) x 28.4(H) in.                                      |                      |                        | 15.4(W) x 28.8(D) x 28.4(H) in. |                        |
| Mass (approximate)                      |              | 12 kg / 26.5 lb  |                      |                        | 16 kg / 35.3 lb                 |                        |
| Calibration weight<br>(factory setting) |              | 30 kg  | 60 kg                | 150 kg                 | 60 kg                           | 150 kg                 |
|   |              | 60 lb  | 120 lb               | 300 lb                 | 120 lb                          | 300 lb                 |

\* Factory setting

## Options

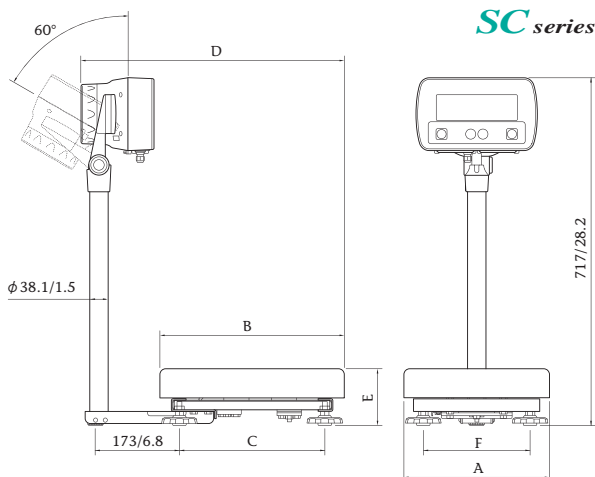
**SCE-02** Quick USB interface

**SCE-03** RS-232C + comparator relay output

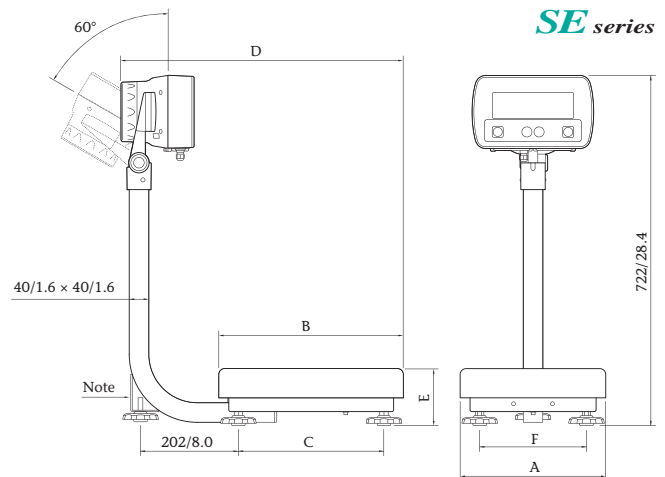
\* SCE-02 and SCE-03 cannot be used at the same time.

\* The SC / SE is not IP68 compliant with SCE-02 or SCE-03.

## External Dimensions (mm/inches)



| Model                     | A        | B        | C        | D        | E       | F        |
|---------------------------|----------|----------|----------|----------|---------|----------|
| SC-30KAM / 60KAM / 150KAM | 300/11.8 | 380/15.0 | 300/11.8 | 543/21.4 | 117/4.6 | 220/8.7  |
| SC-60KAL / 150KAL         | 390/15.4 | 530/20.9 | 440/17.3 | 688/27.1 | 123/4.8 | 300/11.8 |



| Model                     | A        | B        | C        | D        | E       | F        |
|---------------------------|----------|----------|----------|----------|---------|----------|
| SE-30KAM / 60KAM / 150KAM | 300/11.8 | 380/15.0 | 300/11.8 | 582/22.9 | 118/4.7 | 220/8.7  |
| SE-60KAL / 150KAL         | 390/15.4 | 530/20.9 | 440/17.3 | 732/28.8 | 128/5.0 | 300/11.8 |

Note) The pole support foot is for the SE-30KAM/60KAM/150KAM only.

# A&D

...Clearly a Better Value

### A&D Company, Limited

3-23-14 Higashi-Ikebukuro, Toshima-ku, Tokyo 170-0013 JAPAN  
Telephone:[81](3) 5391-6132 Fax:[81](3) 5391-6148  
http://www.aandd.jp

### A&D ENGINEERING, INC.

1756 Automation Parkway, San Jose, CA 95131 U.S.A.  
Telephone:[1](408) 263-5333 Fax:[1](408) 263-0119

### A&D Australasia Pty Ltd.

32 Dew Street, Thebarton, South Australia 5031 AUSTRALIA  
Telephone:[61](8) 8301-8100 Fax:[61](8) 8352-7409

### A&D INSTRUMENTS LTD.

Unit 24/26 Blacklands Way Abingdon Business Park,  
Abingdon, Oxon OX14 1DY UNITED KINGDOM  
Telephone:[44](1235) 550420 Fax:[44](1235) 550485

### <German Sales Office>

Große Straße 13 b 22926 Ahrensburg GERMANY  
Telephone:[49](0) 4102 459230 Fax:[49](0) 4102 459231

### A&D KOREA Limited

Manhattan Bldg. 8F, 36-2 Yoido-dong, Youngdeungpo-gu, Seoul, KOREA  
Telephone:[82](2) 780-4101 Fax:[82](2) 782-4280

### A&D RUS CO., LTD.

Vereyskaya str. 17, Moscow, 121357 RUSSIA  
Telephone: [7] (495) 937-33-44 Fax: [7] (495) 937-55-66

### A&D Instruments India Private Limited

509 Udyog Vihar Phase V  
Gurgaon-122 016, Haryana, INDIA  
Telephone: [91](124) 471-5555 Fax: [91](124) 471-5599