

AD-4411

Weighing Indicator






INSTRUCTION MANUAL



A&D Company, Ltd.

WARNING DEFINITIONS

The warnings described in this manual have the following meanings:

 WARNING	A potentially hazardous situation which, if not avoided, could result in death or serious injury.
 CAUTION	A potentially hazardous situation which, if not avoided, may result in minor or moderate injury or damage to the instrument.
	This symbol indicates caution against electrical shock. Do not touch the part where the symbol is placed.
	This symbol indicates the ground terminal.
	This symbol indicates that an operation is prohibited.
NOTE	Information or cautions to use the device correctly.

© 2022 A&D Company, Limited. All rights reserved.

No part of this publication may be reproduced, transmitted, transcribed, or translated into any language in any form by any means without the written permission of A&D Company, Limited.

The contents of this manual and the specifications of the instrument covered by this manual are subject to change for improvement without notice.

Product names and company names mentioned in this manual are trademarks or registered trademarks of their respective companies in Japan or other countries and regions.

Contents

1. Introduction	5
1.1. Safety precautions	5
2. Part names	6
2.1. Front panel	6
2.2. Rear panel	7
2.3. Accessories	7
3. Installing to the control panel	8
3.1. Installing the indicator to the control panel	8
3.2. Removing the indicator from the control panel	8
4. Connection to power supply	9
4.1. DC power supply assignment	9
4.2. Connection diagram	9
5. Connection to load cell	10
5.1. Load cell input terminal assignment	10
5.2. Connection diagram	10
6. Operation mode	12
7. Calibration	13
7.1. Settings required before calibration	13
7.2. Digital calibration	13
7.3. Actual load calibration	14
8. Basic functions	17
8.1. Main display	17
8.2. Power-on zero	17
8.3. Zero-setting	18
8.4. Zero tracking	18
8.5. Tare	18
8.6. Gross / Net display selection	18
8.7. Center-zero detection	19
8.8. Stability detection	19
8.9. High resolution display selection	19
8.10. Comparator	19
9. Industrial Ethernet	20
9.1. EtherNet/IP (AD-4411-EIP)	20
9.2. PROFINET (AD-4411-PRT)	22
9.3. EtherCAT (AD-4411-ECT)	23
9.4. Cyclic data layout	24
10. USB	28
10.1. Communication specification	28
10.2. Coil data address	29
10.3. Holding register data address	30
11. Checking software version / hardware	34
11.1. Checking software version	35
11.2. Checking display	35
11.3. Checking key switches	35
11.4. Checking load cell input	35
12. Troubleshooting	36
12.1. Hardware error	36
12.2. Checking the connection to load cell with using a multimeter	37
12.3. Check list	38
13. Initialization	39
14. Setting functions	40

14.1. Setting calibration function.....	41
14.2. Setting general functions	42
15. Function setting lists.....	44
15.1. Calibration function list.....	45
15.2. Digital calibration function list.....	45
15.3. Basic function list	46
15.4. IP function list	47
15.5. EtherCAT function	47
16. Specifications	48

1. Introduction

The AD-4411 is a weighing indicator that converts signals from strain gauge load cells and connects them to an Industrial Ethernet network. It contributes to an efficient system by connecting weighing instruments to industrial control systems in plants and factories.

- Two communication ports enable daisy-chain connection without a switching hub.
- 7-segment green LED display with a character height of 10 mm and display resolution of ± 999999 .
- High-speed AD conversion of 1200 times/second and a digital filter enable high speed and accurate weighing.
- DIN96x48 panel mount type with IP65 protection on the front panel.
- Settings can be updated with a PC via a USB port.

1.1. Safety precautions

Please read the following precautions carefully before using this product.

WARNING

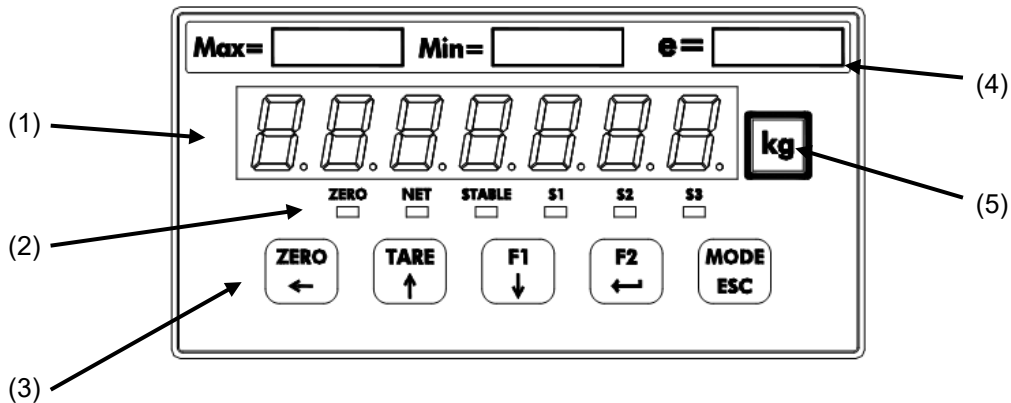
- Provide an external safety circuit for the indicator so that the safety of the whole system can be secured even if errors occur in the external power supply or the indicator.
- Do not use the indicator in the following environments:
 - where the temperature and the humidity exceed the specifications
 - where there are corrosive or flammable gases
 - where the indicator could be subjected to oil, chemicals, or waterPlease note that securing the indicator to the control panel provides IP65 protection to the outside of the control panel.
- Turn off all external power supplies when installing or removing the indicator.
- Turn off all external power supplies when wiring the indicator.
- Be sure to ground the indicator.

CAUTION

- Do not clamp control wires or communication cables with power lines, and do not position them close to power lines.
- Position the load cell cable a sufficient distance away from high frequency circuits such as high voltage power lines or inverter load circuits.

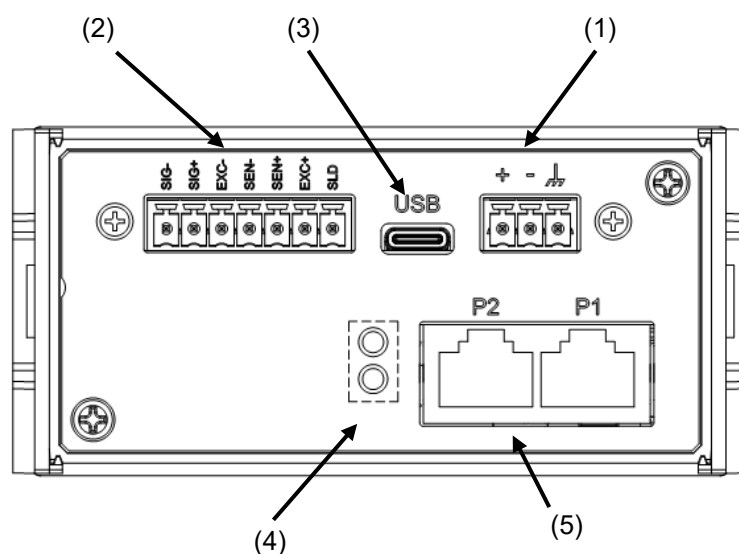
2. Part names

2.1. Front panel



No.	Name	Description	
(1)	Main display	Displays the measured value and various settings.	
(2)	Status LEDs	ZERO	The LED is ON when the measured value is within 1/4 of the minimum division
		NET	The LED is ON when the net value is displayed.
		STABLE	The LED is ON when the measured value is stable.
		S1	The LED is ON when the S1 status ON condition (FncF07) is met.
		S2	The LED is ON when the S2 status ON condition (FncF08) is met.
		S3	The LED is ON when the S3 status ON condition (FncF09) is met.
(3)	Key switches	ZERO/←	Zeros the gross value. Moves the blinking digit to the left when not in measurement mode.
		TARE/↑	Performs tare. Increases the blinking digit by one when not in measurement mode.
		F1/↓	Performs the function set for the F1 key function (FncF05). Decreases the blinking digit by one when not in measurement mode.
		F2/ENTER	Performs the function set for the F2 key function (FncF06). Updates the setting value entered when not in measurement mode.
		MODE/ESC	Changes the operation mode. Cancels the setting value entered when not in measurement mode
(4)	Capacity label	Attach the included capacity label if necessary.	
(5)	Unit label	Attach the included unit label if necessary.	

2.2. Rear panel



No.	Name	Description
(1)	DC power input terminals	Terminals for connection of a DC24V power supply
(2)	Load cell input terminals	Terminals for connection of load cells.
(3)	USB connector	Connector for connection with setting PC. (Type-C)
(4)	Industrial Ethernet status LEDs	Indicate Industrial Ethernet status.
(5)	Industrial Ethernet connector	Connector for connection of PLC via Industrial Ethernet. Dual ports can be used for daisy chain wiring. (RJ-45)

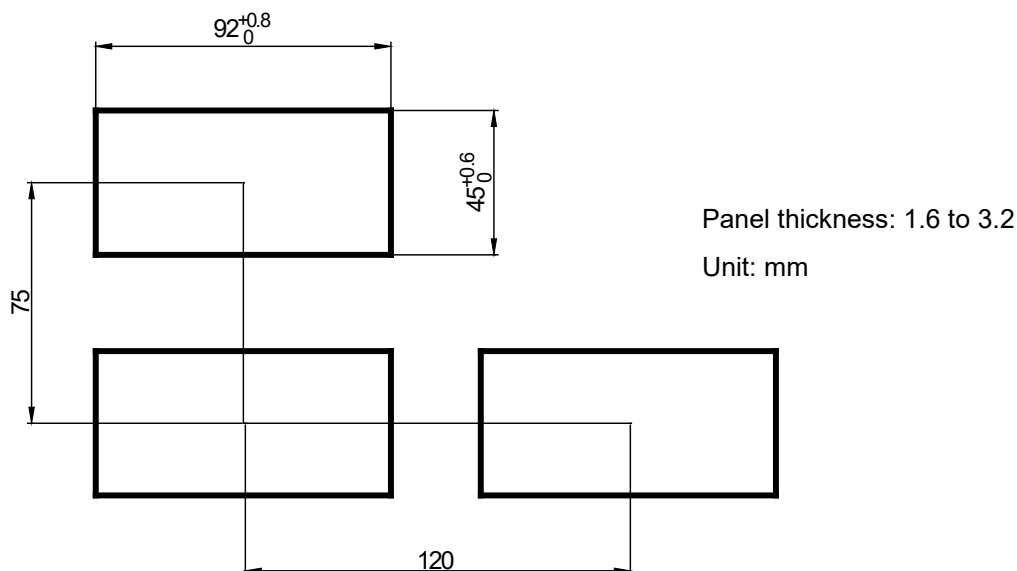
2.3. Accessories

Name	Type No.	Manufacturer	Qty.
Waterproof packing	1064053659	A&D	1
Panel mounting bracket	1073035116	A&D	2
Capacity label	1084054808	A&D	1
Unit label	1084023456A	A&D	1
Power connector	MC 1,5/ 3-ST-3,81	Phoenix Contact	1
Load cell connector	MC 1,5/ 7-ST-3,81	Phoenix Contact	1

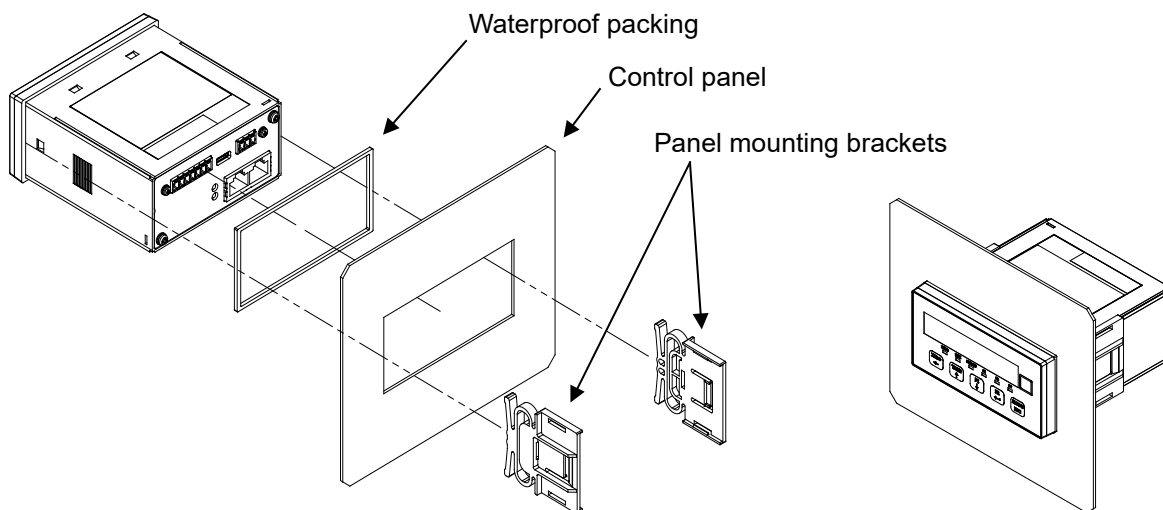
3. Installing to the control panel

3.1. Installing the indicator to the control panel

Make a hole in the control panel of the dimensions shown in the figure below. When installing more than one indicator, make sure there is sufficient space around each unit for heat dissipation.

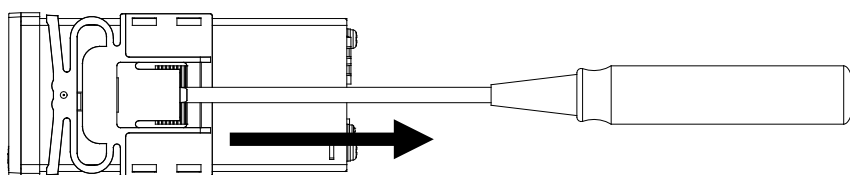


Attach the waterproof packing to the main body, then insert the main body into the control panel from the front. Fit the left and right mounting brackets into the grooves of the case and slide them all the way into the panel.




3.2. Removing the indicator from the control panel

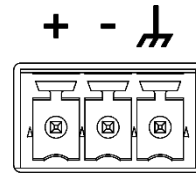
While lifting the latch of the panel mounting bracket from the case using a flat head screwdriver or similar tool, slide the bracket towards the rear of the case.



4. Connection to power supply

4.1. DC power supply assignment

Symbol	Description
+	DC power input + (24V)
-	DC power input - (0V)
	Functional ground

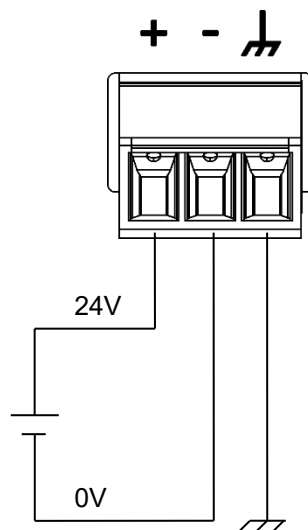


Applicable wire

Item	Specifications
Wire size	0.14 to 1.5 mm ² (AWG 26 to 16)
Wire strip length	7 mm
Tightening torque	0.22 to 0.25 Nm

4.2. Connection diagram

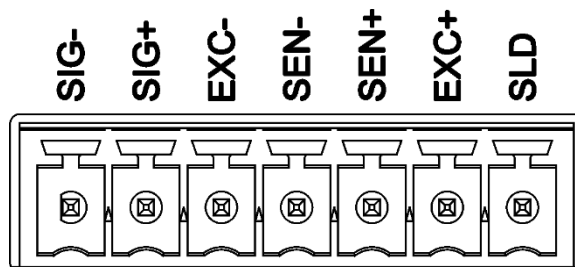
Attach the included power connector accessory and wire as shown below.



5. Connection to load cell

5.1. Load cell input terminal assignment

Symbol	Description
SIG-	Load cell signal input -
SIG+	Load cell signal input +
EXC-	Load cell excitation voltage -
SEN-	Sensing input-
SEN+	Sensing input+
EXC+	Load cell excitation voltage +
SLD	Shield



Applicable wire

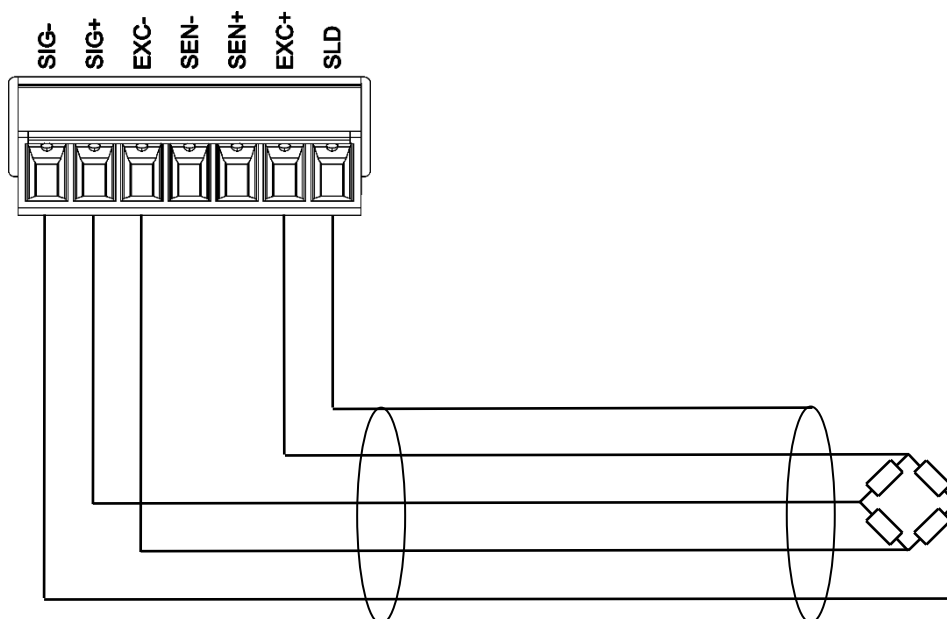
Item	Specifications
Wire size	0.14 to 1.5 mm ² (AWG 26 to 16)
Wire strip length	7 mm
Tightening torque	0.22 to 0.25 Nm

5.2. Connection diagram

Attach the included load cell connector accessory and wire as shown below.

4-Wire type

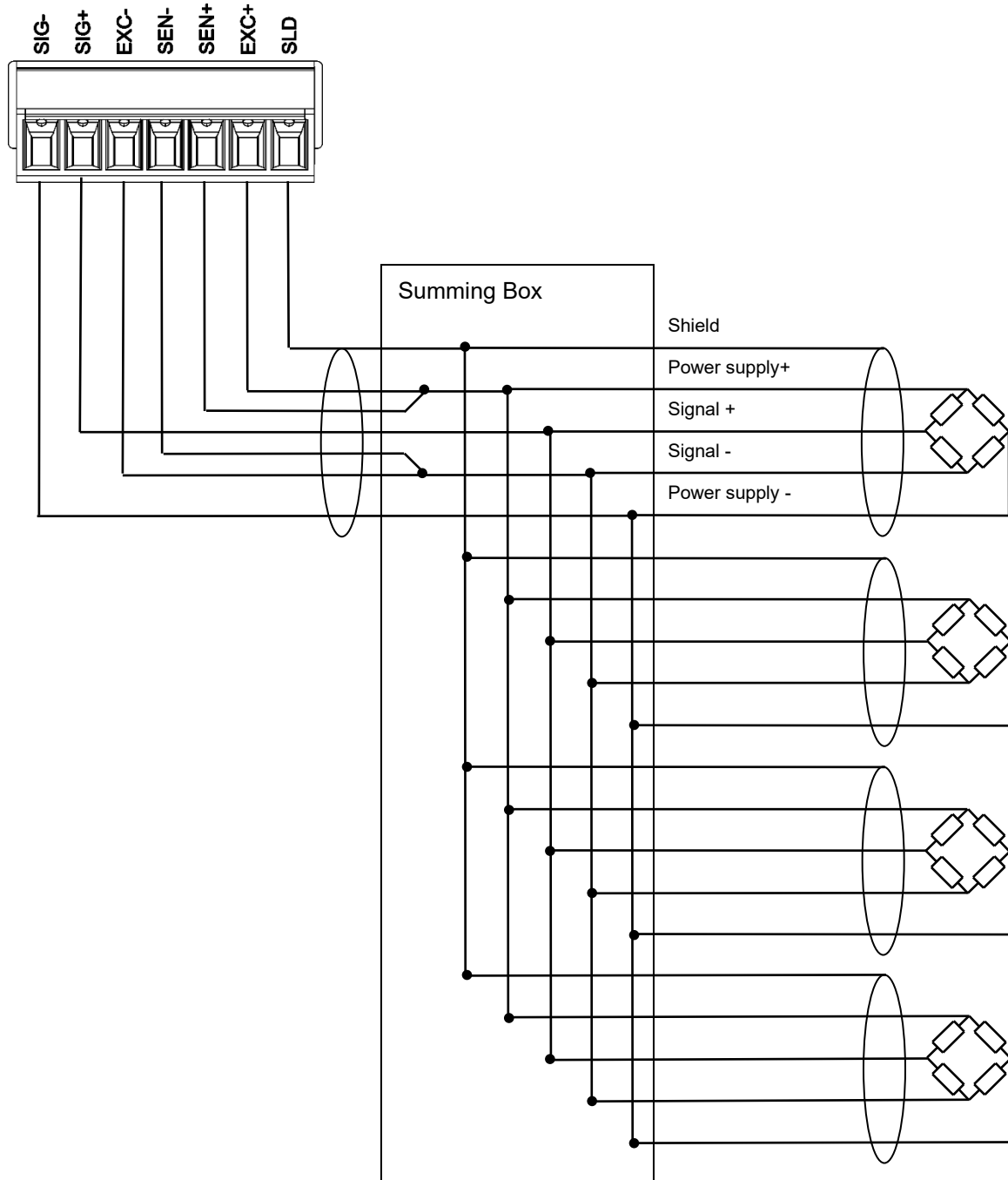
Set load cell connection type (CALF17) to 0: 4 wire type (default = 1: 6 wire type).



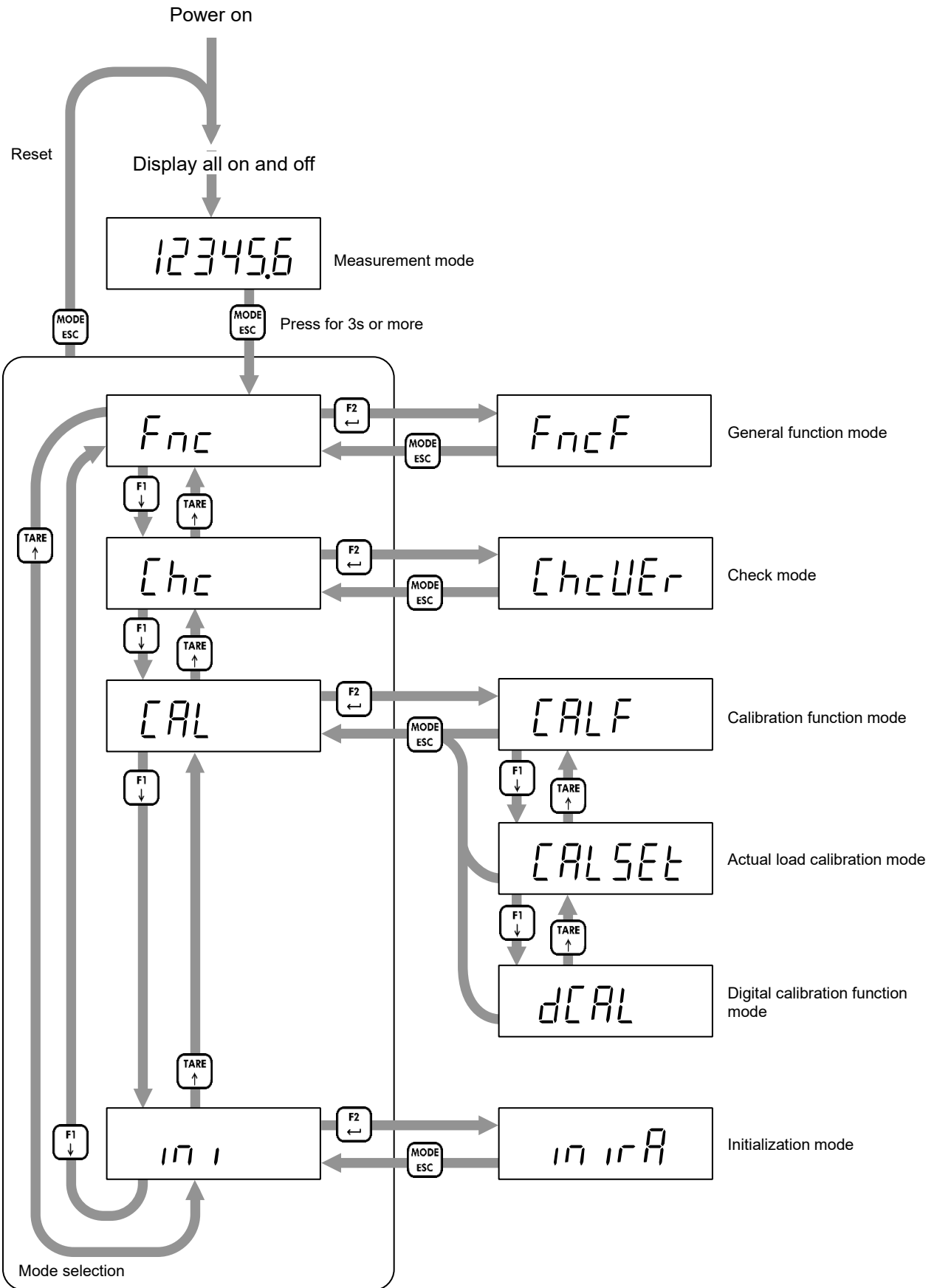
6-wire connection

Set load cell connection type (CALF17) to 1: 6 wire type (default).

When you connect the load cells in parallel, use a summing box. Connecting AD-4411 to four load cells is as shown below.



6. Operation mode



7. Calibration

Calibrate the AD-4411 so that it can properly convert the signal from the load cell to a load value.

7.1. Settings required before calibration

Before calibration, the following settings are required.

- Select the measurement unit (CALF01).
The set unit is only used for external communication. Attach the unit label to the main display.
0: None / 1: g / 2: kg (default) / 3: t
- Select decimal point position (CALF02).
0: 0 (None) (default)
1: 0.0
2: 0.00
3: 0.000
4: 0.0000
5: 0.00000
- Set the minimum division (CALF03).
1: 1d (default) / 2: 2d / 3: 5d / 4: 10d / 5: 20d / 6: 50d
- Set the maximum capacity (CALF04). (Default=999999)

7.2. Digital calibration

After calibration using calibration weights is completed, digital calibration function settings are automatically updated.

Be sure to make a note of the updated settings so you can re-calibrate without applying actual load if the AD-4411 is replaced.

- Load cell input signal at zero calibration (dCAL01)
- "Load cell input signal at span calibration"- "Load cell input signal at zero calibration"(dCAL02)
- The calibration weights at span calibration (dCAL03)

7.3. Actual load calibration

Refer to "6 Operation mode" to move to actual load calibration mode, then press the [F2/ENTER] key.

7.3.1. Zero calibration

Press the [F2/ENTER] key.

If the [F1/↓] key is pressed, the indicator skips zero calibration and enters span calibration.

The current load cell input signal (mV/V) is displayed.

Check that the STABLE status is ON.

Press the [F2/ENTER] key to execute zero calibration.

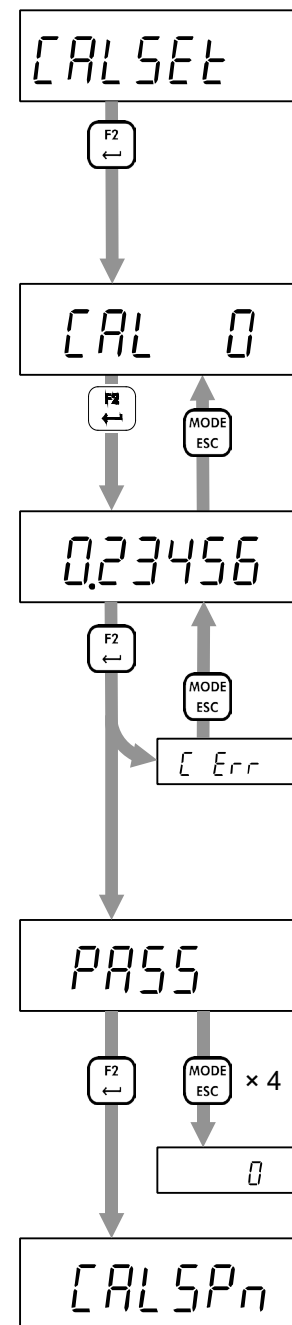
If zero calibration fails, "C ErrX" is displayed.

Refer to "7.3.3 Error in actual load calibration" for error details.

If zero calibration is successful, "PASS" is displayed, and zero calibration is completed.

Press the [F2/ENTER] key to enter span calibration.

Or press the [MODE/ESC] key four times to return to measurement mode.



7.3.2. Span calibration

Press the [F2/ENTER] key.

If the [F1/↓] key is pressed, the indicator skips span calibration and enters zero calibration.

Set a calibration weight value by the following key operations

[ZERO/←] key: Moves the blinking digit to the left.

[TARE/↑] key: Increases the blinking digit by one.

[F1/↓] key: Decreases the blinking digit by one

[F2/ENTER] key: Confirm the setting value.

The current load cell input signal (mV/V) is displayed.

Place the calibration weight or apply load to the load cell.

Check that STABLE status is ON.

Press the [F2/ENTER] to execute span calibration

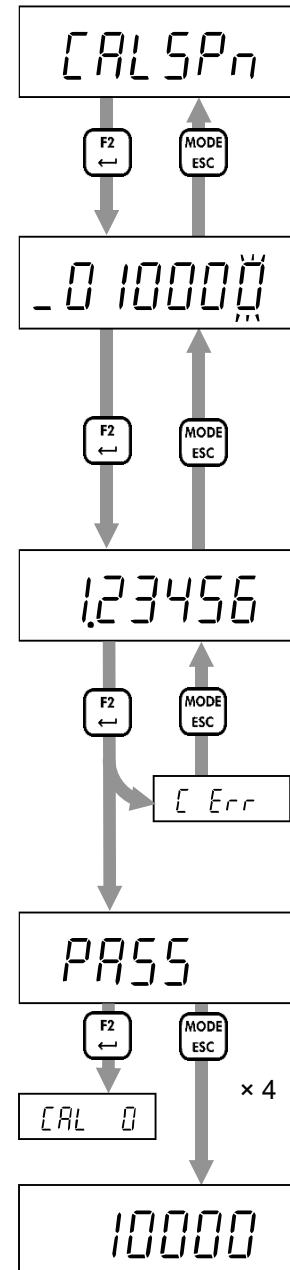
If span calibration fails, "C ErrX" is displayed.

Refer to "7.3.3 Error in actual load calibration" for error details.

If span calibration is successful, "PASS" is displayed, and span calibration is completed.

Press the [MODE/ESC] key four times to return to measurement mode.

Or press the [F2/ENTER] to enter zero calibration again.



7.3.3. Error in actual load calibration

Error code	Description
[Err2	The load cell signal voltage at zero calibration exceeds 7.0 mV/V. Check that the load cell is connected correctly.
[Err3	The load cell signal voltage at zero calibration is less than -7.0 mV/V. Check that the load cell is connected correctly.
[Err4	The calibration weight value for span calibration exceeds the maximum capacity. Set the calibration weight value to the maximum capacity or less.
[Err5	The calibration weight value for span calibration is below the scale interval. Set the calibration weight value to the scale interval or more.
[Err7	The load cell input signal at span calibration is smaller one at zero calibration. Check that the load cell is connected correctly.
[Err8	The load cell signal voltage at span calibration exceeds 7.0 mV/V. Check that the load cell is connected correctly.

8. Basic functions

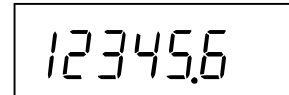
After AD-4411 is turned on, all segments of the display turn on / off to check the display. Then AD-4411 enters measurement mode and starts measuring.

Refer to "14 Setting functions" for function setting methods.

8.1. Main display

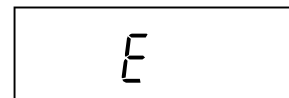
The following content is displayed in measurement mode.

- Measurement value.



- Positive overload.

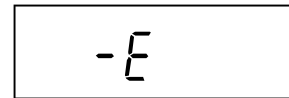
The gross value exceeds the maximum capacity by +8d.



- Negative overload.

The gross value meets the negative overload condition (CALF15).

(Default = 0: Gross < - maximum capacity + 8d)



8.2. Power-on zero

After power-on, the gross value is set to zero automatically when the gross value is within the maximum capacity $\pm 10\%$ and stable.

Set power-on zero (CALF14) to 1: Enable (default = 0: Disable) to use this function.

If the condition is not met, "-----" is displayed until the condition is met.

Press the [MODE/EXC] key to skip power-on zero and enter measurement mode.

8.3. Zero-setting

Executing zero-setting

When the measurement value is within the zero setting range (CALF05), press the [ZERO] key or send a request externally to save the gross value as the zero setting value and set to zero.

Set the following to use this function.

- Set the zero setting range (CALF05) to a value other than 0 (default = 100%).
- Select the zero setting at unstable (CALF10) from 0: Disable / 1: Enable (default).

Zero clear

Press a key to which zero clear function is assigned or request externally to clear the zero setting value.

Set the following to use this function.

- Set the function of [F1] / [F2] key (FncF05 / Fnc06) to 2: zero clear (default = 0: None).
- Set zero clear (CALF13) to 1: Enable (default).

8.4. Zero tracking

The gross value is set to zero automatically when the tracking time has passed while the gross value is maintained within the zero tracking width.

Set the following to use this function.

- Set the zero tracking time (CALF06) to a value other than 0.0s (default).
- Set the zero tracking width (CALF07) to a value other than 0: Disable (default).

8.5. Tare

Executing tare

Press the [TARE] key or request externally, to save the gross value as the tare value and set the net value to zero.

Set the following to use this function.

- Select taring at unstable (CALF11) from 0: Disable / 1: Enable (default).
- Select taring at the negative gross (CALF12) from 0: Disable / 1: Enable (default).

Tare clear

Press a key to which tare clear function is assigned or request externally to clear the tare value.

Set the following to use this function.

- Set the function of [F1] / [F2] key (FncF05 / Fnc06) to 1: tare clear (default = 0: None).

8.6. Gross / Net display selection

Press a key to which Gross / Net display selection function is assigned or request externally to switch the displayed value between gross and net. Net status is ON when the net value is displayed.

Set the following to use this function.

- Set the function of [F1] / [F2] key (FncF05 / Fnc06) to 3: Gross / Net display selection (default = 0: None).

8.7. Center-zero detection

The center of zero is detected and ZERO status turns ON when the gross value is within 1/4 of the minimum division.

8.8. Stability detection

Stability is detected and the stable status is ON when the stability detection time has passed while the measured value is maintained within the stability detection width.

Set the following to use this function.

- Set the stability detection time (CALF08) to a value other than 0.0s (default = 1.0s).
- Set the stability detection width (CALF09) to a value other than 0: Disable (default = 2d).

8.9. High resolution display selection

Press a key to which the high resolution display selection function is assigned to switch the displayed value between high resolution display (10 times higher) and normal display.

Set the following to use this function.

- Set the function of [F1] / [F2] key (FncF05 / Fnc06) to 4: high resolution display selection (default = 0: None).

8.10. Comparator

The comparison value and the measured value are compared, and then Hi / OK / Lo is detected when the following conditions are met.

Hi Measured value > Upper limit value

OK Upper limit value \geq Measured value \geq Lower limit value

Lo Lower limit value > Measured value

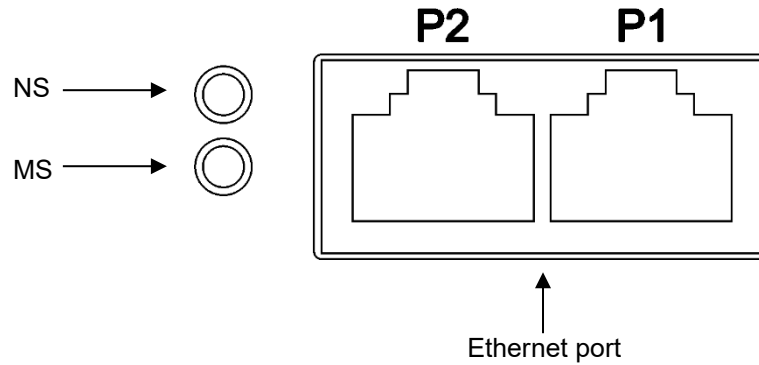
Set the following to use this function.

- Upper limit value (FncF11). (Default = 10)
- Lower limit value (FncF12). (Default = 10)
- Select the target for comparison (FncF13) from 1: Gross (default) / 2: Net.

9. Industrial Ethernet

9.1. EtherNet/IP (AD-4411-EIP)

9.1.1. Part names



Name	Function	Description
NS	Network status LED	OFF No power or no IP address assigned
		Green, ON Operating properly
		Green, blinking No connection established
		Red, ON IP address duplication
		Red, blinking Communication timeout
MS	Module status LED	OFF No power
		Green, ON Operating properly
		Green, blinking Scanner in idle state
		Red, ON Unrecoverable fault
		Red, blinking Recoverable fault

9.1.2. Communication specifications

Communication is performed according to the following communication specifications.

Note that communication is possible only in measurement mode.

Communication protocol	EtherNet/IP (DLR supported)
Transmission speed	10/100 Mbps
Connector	RJ-45
Cable specifications	Shielded twisted pair (STP) cable, straight / crossover, CAT 5e or above
Configuration file	EDS file (Please download the configuration file from A&D's website.)

9.1.3. Communication settings

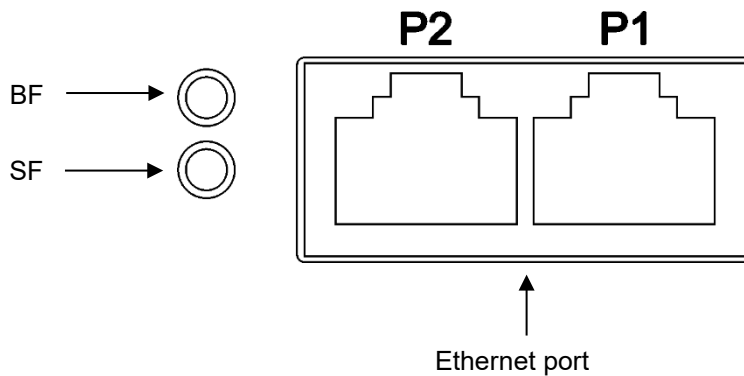
Consult with the network administrator for the IP address, subnet mask, and default gateway settings.

DHCP is not supported.

IP F	Setting item	Setting value	Default
01	IP address XXX. XXX. XXX. XXX		
			192
		0~255	
			168
02		0~255	168
03		0~255	0
04		0~255	2
05	Subnet mask XXX. XXX. XXX. XXX		
			255
		0~255	
			255
06		0~255	255
07		0~255	255
08		0~255	0
09	Default gateway setting XXX. XXX. XXX. XXX		
			0
		0~255	
			0
10		0~255	0
11		0~255	0
12		0~255	0

9.2. PROFINET (AD-4411-PRT)

9.2.1. Part names



Name	Function	Description	
BF	Bus failure LED	OFF	Operating properly
		Red, ON	Station name not set No connection established
SF	System failure LED	OFF	Operating properly
		Red, ON	Watchdog timeout System error

9.2.2. Communication specifications

Communication is performed according to the following communication specifications.

Note that communication is possible only in measurement mode.

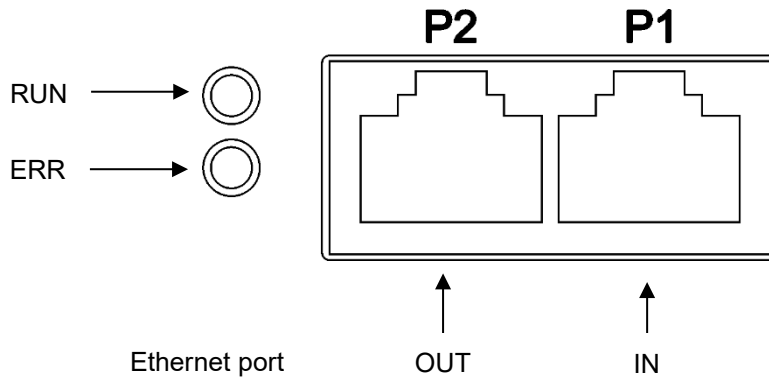
Communication standard	PROFINET IO RT
Transmission speed	100 Mbps
Connector	RJ-45
Cable specifications	Shielded twisted pair (STP) cable, straight / crossover, CAT 5e or above
Configuration file	GSDML file (Please download the configuration file from A&D's website.)

9.2.3. Communication settings

Set the station name and IP address using the PLC setting tool.

9.3. EtherCAT (AD-4411-ECT)

9.3.1. Part names



Name	Function	Description
RUN	Communication status LED	OFF Power-Off or Init state
		Green, ON Operational state
		Green, blinking Pre-Operational state
		Green, single blink Safe-Operational state
ERR	Error status LED	OFF Power-Off or no error
		Red, blinking Communication setting error
		Red, single blink Communication data error
		Red, double blinks Watchdog timeout

9.3.2. Communication specifications

Communication is performed according to the following communication specifications.

Note that communication is possible only in measurement mode.

Communication standard	EtherCAT (Sync mode is supported only for Free Run.)
Transmission speed	100 Mbps
Connector	RJ-45 (P1 = IN, P2 = OUT)
Cable specifications	Shielded twisted pair (STP) cable, straight / crossover, CAT 5e or above
Configuration file	ESI file (Please download the configuration file from A&D's website.)

9.3.3. Communication settings

When using the Explicit Device ID, set it with the Ect function.

If "0: Not used (default)", the PLC settings are valid.

Ect F	Setting item	Setting value	Default
01	Explicit Device ID	0: Not used 1~65535	0

9.4. Cyclic data layout

Once the Industrial Ethernet connection is established between the AD-4411 and PLC, cyclic data exchanges are performed periodically. The cyclic data consists of the Write data area for sending data from the PLC to the AD-4411 and the Read data for sending data from AD-4411 to the PLC.

The contents of cyclic data transfer are common to EtherNet/IP, PROFINET, and EtherCAT.

9.4.1. Data layout

Write data (PLC -> AD-4411)

Word No.	Data area name	Data type	Description
Word 0-1	Command value	Int32	This area is used to send various commands to AD-4411.
Word 2	Command	UInt16	

Read data (AD-4411 -> PLC)

Word No.	Data area name	Data type	Description	
Word 0-1	Response value	Int32	This area is used to receive the response for a command from AD-4411.	
Word 2	Response	UInt16		
Word 3-4	Net value	Int32	Net value	
Word 5-6	Gross value	Int32	Gross value	
Word 7-8	Status	UInt32	Bits.0-10	-
			Bit.11	Hi
			Bit.12	OK
			Bit.13	Lo
			Bit.14	-
			Bit.15	Stability
			Bit.16	Net value display
			Bits.17-18	-
			Bit.19	Overload
			Bit.20	Zero-setting failed
			Bit.21	Tare failed
Bits.22-31	-			

The status bit is "1" while the condition is met.

9.4.2. Command and response

Using the "Command", "Command value", "Response" and "Response value" areas, functions can be executed and setting values can be written / read. The procedure differs depending on the type of command.

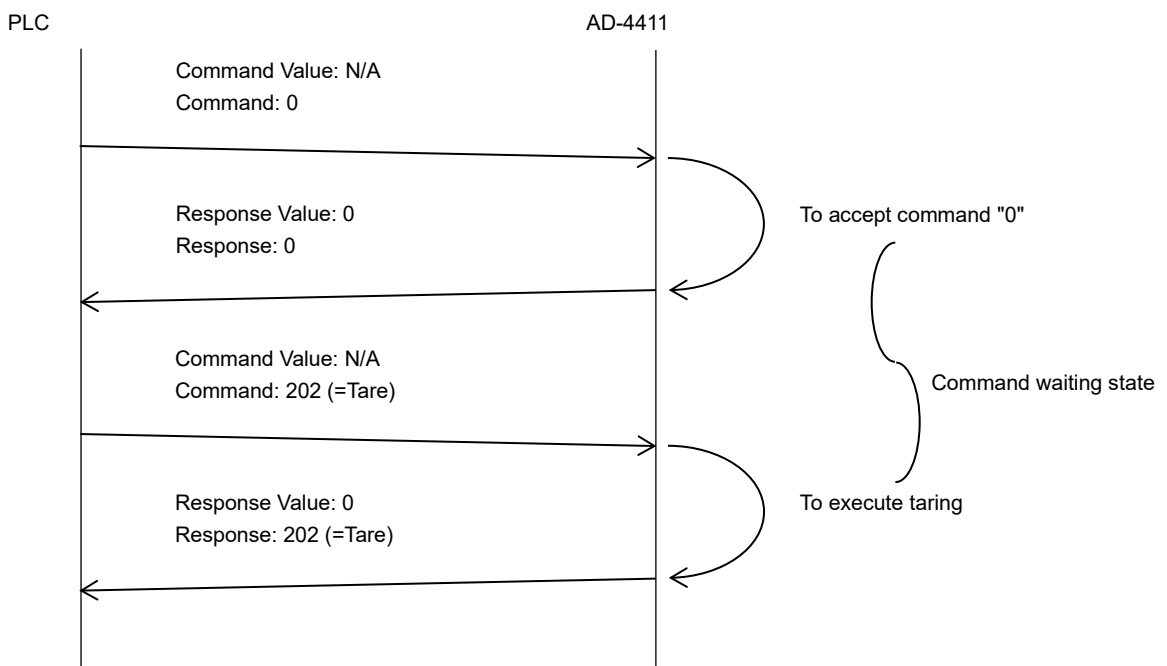
9.4.2.1. Executing function command

The following functions can be executed.

Command	Description
0	AD-4411 enters command waiting state. Commands set while not in the command waiting state are ignored.
201	Zero setting
202	Tare
207	Tare clear
212	Zero clear
401	Zero calibration
402	Span calibration

Use the following procedure to execute a function such as tare.

1. Set the command "0" in the "Command" area on PLC.
2. When AD-4411 accepts the command "0", it echoes back "0" in the "Response" area and waits for a command.
3. Set a valid command (e.g. 202: Tare) in the "Command" area on PLC.
4. If AD-4411 successfully executes the command, it echoes back the command (e.g. 202: Tare) in the "Response" area. If it fails, the "Response" area is updated to 65535: Error.



9.4.2.2. Read command

Refer to "15 Function setting lists" for commands for read setting values.

The following are commands for reading measured values.

Command	Description
1001	Read displayed value
1003	Read gross value
1005	Read net value
1007	Read tare value
1095	Read load cell input voltage (1nV/V)

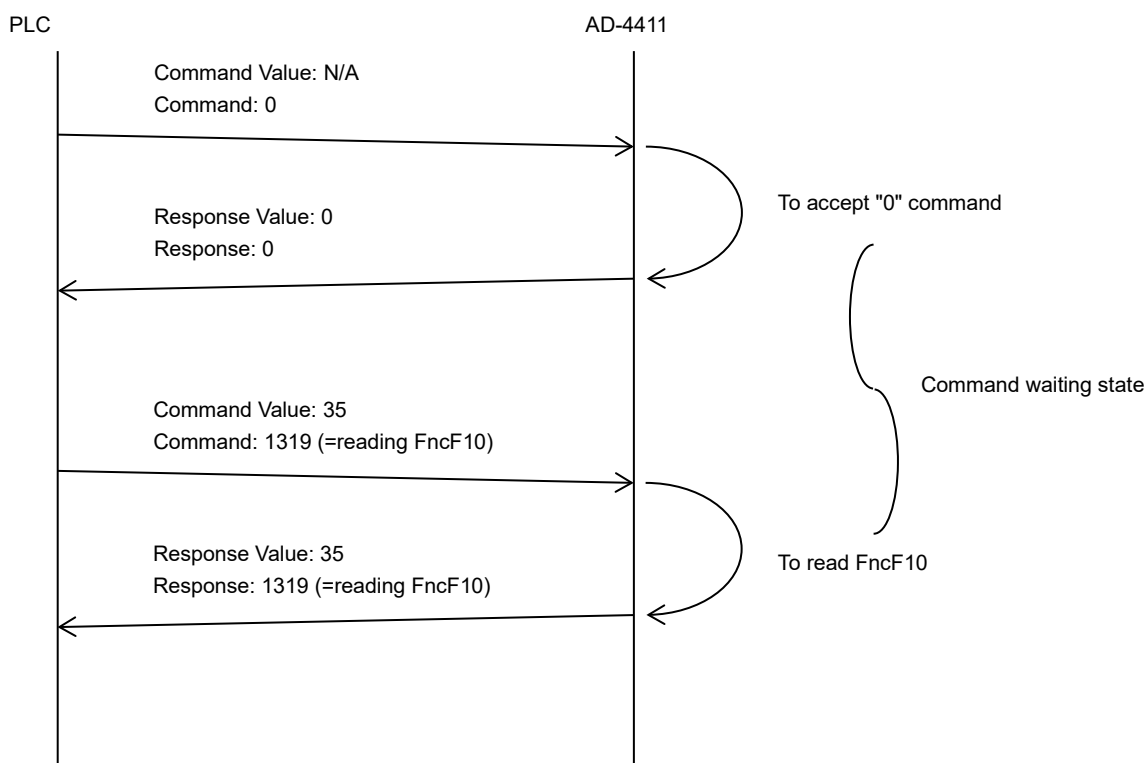
The decimal point position is ignored when the setting value / measured value is read.

For example, the displayed value "123.4" is read as "1234".

Use the following procedure to read a setting value.

1. Set the command "0" in the "Command" area on PLC.
2. When AD-4411 accepts the command "0", it echoes back "0" in the "Response" area and waits for a command from PLC.
3. Set a valid read command in the "Command" area on PLC.
4. If AD-4411 successfully reads the data, it echoes back the command in the "Response" area and updates the read data in the "Response value" area. If it fails, the "Response" area is updated to 65535: Error.

The following is an example of reading FncF10 and setting value "35".



9.4.2.3. Write command

Refer to "15 Function setting lists" for commands for writing setting values.

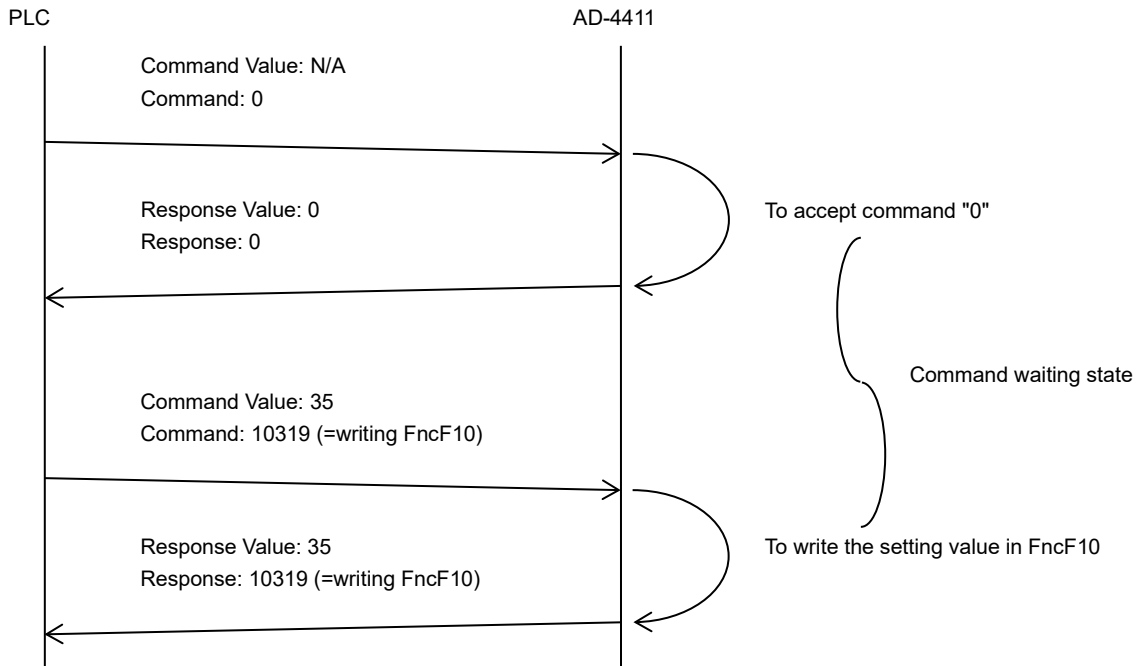
The decimal point position is ignored when writing setting values.

For example, the value to be written is "12" when the value set is "1.2".

Use the following procedure to write a setting value.

1. Set the command "0" in the "Command" area on the PLC.
2. When AD-4411 accepts the command "0", it echoes back "0" in the "Response" area and waits for a command from PLC.
3. Set valid write data in the "Command value" area on PLC.
4. Set a valid write command in the "Command" area on PLC.
5. If AD-4411 successfully writes the data, it echoes back the command in the "Response" area and the write data in the "Response Value". If it fails, the "Response" area is updated to 65535: Error.

The following is an example of writing FncF10 and setting value "35".



10. USB

A PC can be used to read measured values and write setting values via USB (virtual COM port).

AD-4411 can be operated via USB bus power, but the USB circuit is not isolated, so noisy environments may affect measurement performance. For normal operation, use the 24 V power supply port.

10.1. Communication specification

USB function is available in measurement mode.

USB Specification	Connector	Type-C
	Communication	USB 2.0 (Full-speed) virtual COM port
	Power	5V 3.0A at using bus power
Communication protocol		Modbus RTU
Slave address		1
Baud rate		115200 bps
Data length / Parity / Stop bit		8bits / None / 1 bit

Function code and maximum quantity

Code	Function name	Maximum qty.
01	Read coils	100
03	Read holding registers	100
05	Write single coil	1
06	Write single register	1
15	Write multiple coils	1
16	Write multiple registers	100

10.2. Coil data address

Data address	R/W	Item name	
000001-000011	R	-	
000012		Hi	
000013		OK	
000014		Lo	
000015		-	
000016		Stable	
000017		Gross "0" / Net"1"	
000018-000019		-	
000020		Overload	
000021		When zero-setting fails	
000022		When tare fails	
000023 - 000200		-	
000201		W *1	Zero-setting
000202			Tare
000203-000206	-		
000207	Tare clear		
000208-000211	-		
000212	Zero clear		
000213	Switch gross on the display		
000214	Switch net on the display		
000215-000300	-		
000301-000400	R/W		-
000401	W *1	Zero calibration	
000402		Span calibration	
000403-000500		-	

*1: When "1" is written, the operation is executed.

10.3. Holding register data address

All holding registers are DWORD. The first word is the low word of a 32-bit value.

The decimal point position is ignored when the setting value is read.

For example, the displayed value "123.4" is read as "1234".

Data address	R/W	Item name
400001-400002	R	Displayed value
400003-400004		Gross value
400005-400006		Net value
400007-400008		Tare value
400009-400010		Status (See the next page for details)
400011-400094		-
400095-400096		Load cell input signal (1 count means 1 nV/V)
400097-400100		-
400101-400134		R/W
400135-400300	-	
400301-400326	Basic function *1	
400327-401500	-	
401501-401506	Digital calibration function *1	
401507-401600	-	
401601-401624	IP function *1, *2	
401625-402000	-	

*1: Refer to "14 Setting functions".

*2: The new IP function settings take effect after restart.

Bits address details for status (40009—40010)

Data address	Item name
40009.15-05	-
40009.04	Lo
40009.03	OK
40009.02	Hi
40009.01	-
40009.00	-
40010.15-10	-
40010.09	S3 status is ON.
40010.08	S2 status is ON.
40010.07	S1 status is ON.
40010.06	ZERO status is ON.
40010.05	STABLE status is ON.
40010.04	Displayed value is gross.
40010.03	Displayed value is net.
40010.02	-
40010.01	-
40010.00	-

10.3.1. Example message for coil

The following is an example of executing a tare (data address 000202).

Master -> Slave	0x01 05 00 C9 FF 00 5C 04	
Slave address	0x01	Set 0x0A (=rS F-09: Slave address 10).
Function code	0x05	Set 0x05, which is a request to write the data address 000001~065535 (coil).
Data address	0x00 C9	The Modbus protocol specifies that the starting data address be set to the value of the coil data address minus 000001, so set 0x00C9 (= 000202 – 000001).
Write data	0xFF 00	Set 0xFF 00 (= ON).
CRC	0x5C 04	An error-checking field is based on a CRC method.

Slave -> Master	0x01 05 00 C9 FF 00 5C 04	
Slave address	0x01	In this example, the sent message is echoed back as is.
Function code	0x05	
Data address	0x00 C9	
Write data	0xFF 00	
CRC	0x5C 04	

10.3.2. Example message for holding register

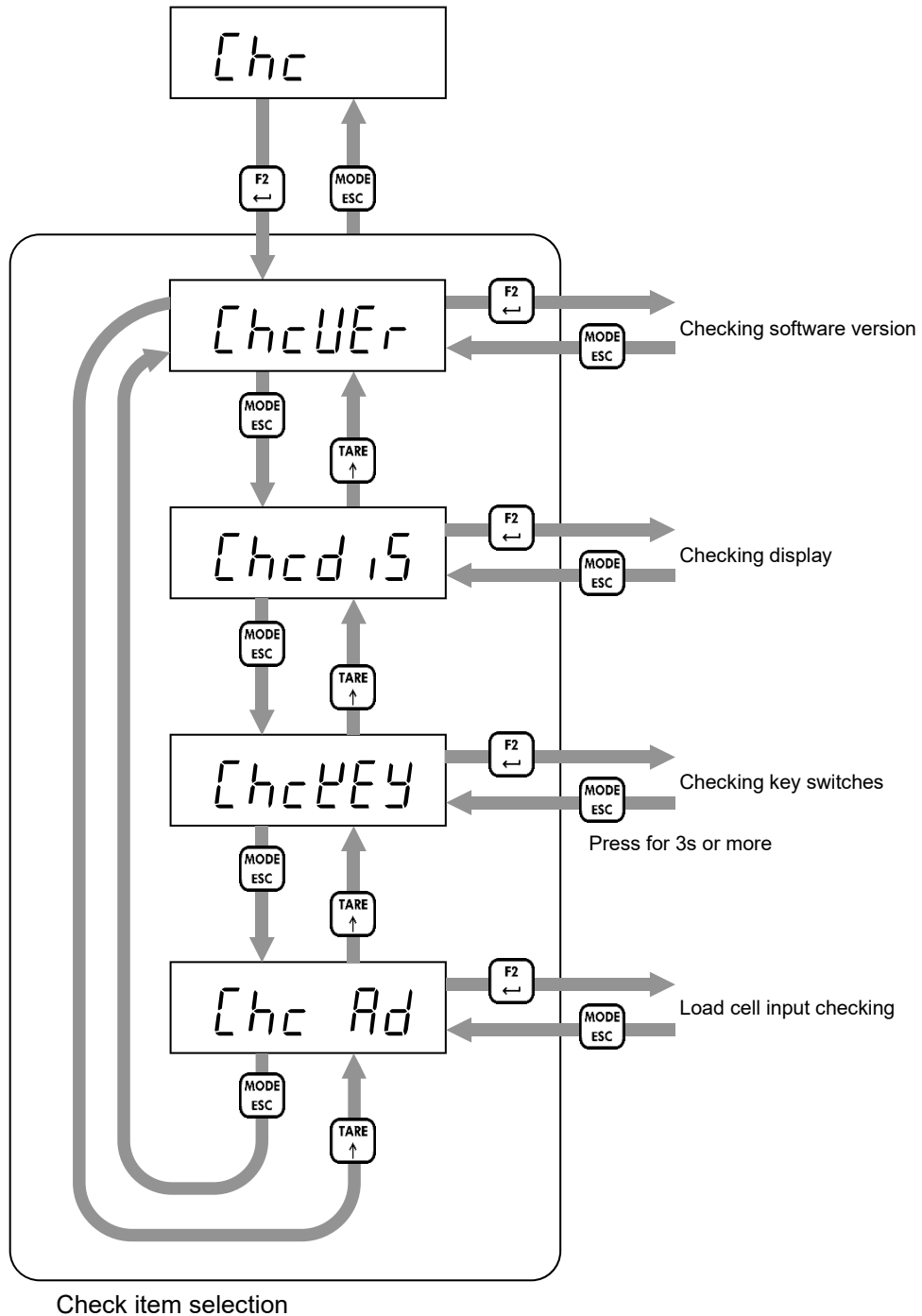
The following is an example reading contiguous data of the Gross Value (data address 400003~400004) and Net Value (data address 400005~400006).

Master -> Slave	0x01 03 00 02 00 04 E5 C9	
Slave address	0x01	Set 0x01 (Slave address 01) in this example.
Function code	0x03	Set 0x03, which is a request to read the data address 400001~465535 (holding registers).
Starting data address	0x00 02	The Modbus protocol specifies that the starting data address be set to the value of the holding register data address minus 400001, so in this example set 0x0002 (= 400003 – 400001)
Read data points	0x00 04	In this example, set 0x04 to read 4 data from 400003 to 400006.
CRC	0x E5 C9	An error-checking field is based on a CRC method.

Slave -> Master	0x01 03 08 86 9F 00 01 C3 4F 00 00 42 C7		
Slave address	0x01	The slave address is echoed back as is.	
Function code	0x03	The function code is echoed back as is.	
Number of read data bytes	0x08	The number of read data bytes is set.	
Data 1	0x86 9F	The data in 400003	The master can read the first 16-bit data as the low data of 32-bit value. In this example, the current gross value is 99999 (= 0x00 01 86 9F).
Data 2	0x00 01	The data in 400004	
Data 3	0xC3 4F	The data in 400005	In this example, the current net value is 49999 (= 0x00 00 C3 4F)
Data 4	0x00 00	The data in 400006	
CRC	0x42 C7	An error-checking field is based on a CRC method.	

11. Checking software version / hardware

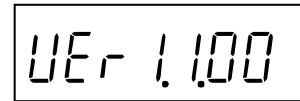
You can check the software version and make sure the hardware is operating properly in check mode. Refer to "6 Operation mode" to enter check mode. See below for check mode procedures.



11.1. Checking software version

Software version is displayed.

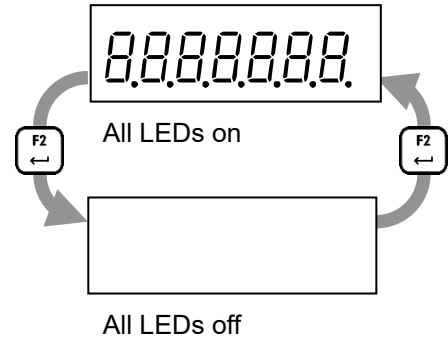
Press [MODE/ESC] key to return to check item selection.



11.2. Checking display

Press [F2/ENTER] to switch between all LEDs on and off.

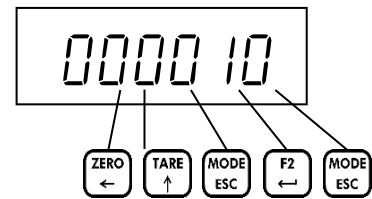
Press [MODE/ESC] key to return to check item selection.



11.3. Checking key switches

Press any key to change from "0" to "1" in the corresponding digit.

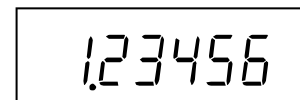
Press [MODE/ESC] key for 3s or more to return to check item selection.



11.4. Checking load cell input

The current load cell input signal (mV/V) is displayed.

Press [MODE/ESC] key to return to check item selection.



12. Troubleshooting

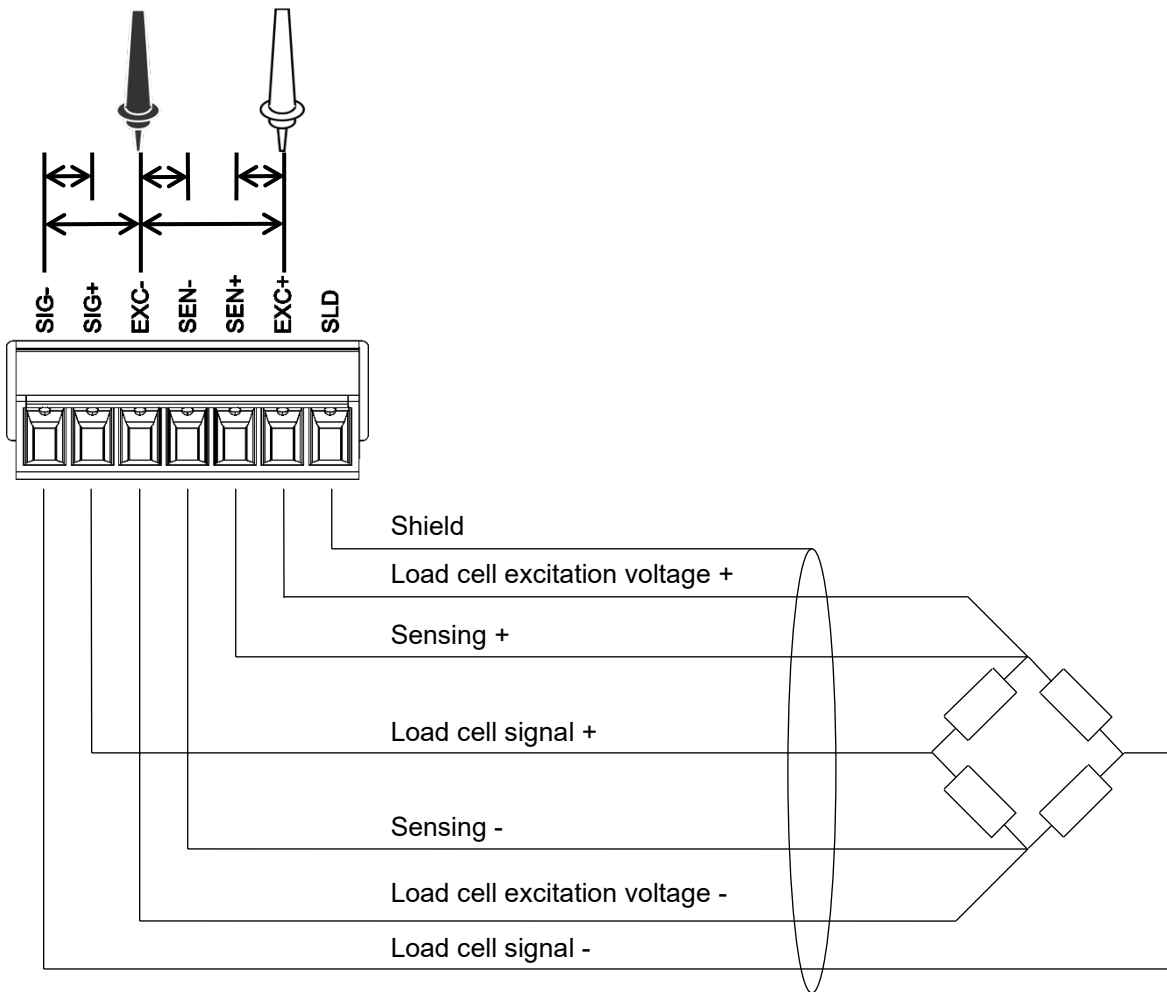
12.1. Hardware error

If the following error messages are displayed after power-on, the product may have failed. Please consult your local A&D representative.

Error code	Error description
<i>ErrH01</i>	A problem is detected in the memory (FRAM) on the main board.
<i>ErrH02</i>	A problem is detected in the AD converter on the main board.
<i>ErrH03</i>	A problem is detected in the network module on the Industrial Ethernet board.

12.2. Checking the connection to load cell with using a multimeter

If the load cell signal is not converted correctly, measure and check the voltage between the following points with a digital multimeter.



Measurement point		Item to be measured	Judging
EXC+	EXC-	Load cell power supply voltage	Normally 5 ± 0.25 V.
SIG+	SIG-	Load cell signal voltage	Normally 100 mV or less.
EXC+	SEN+	EXC+ voltage drop by load cell cable	Normally 0.2 V or less. The value may exceed 2 V when a long cable is used. For the 4-wire connection, it is 0 V.
EXC-	SEN-	EXC- voltage drop by load cell cable	Normally 0.2 V or less. The value may exceed 2 V when a long cable is used. For the 4-wire connection, it is 0 V.
SIG-	EXC-	Load cell middle point voltage	Normally 2.5 V, half of the load cell excitation voltage.

12.3. Check list

If AD-4411 does not operate properly, please fill in the following table and consult your local A&D representative.

Checking item		Example
Serial No.		S/N 3C9700101
Weighed product		plastic pellet, livestock feed
Capacity of the instrument		20.00 kg
Minimum division of the instrument		0.01 kg
Initial load on the instrument		30 kg
Load cell connection type	6-wire / 4-wire	6-wire
Length of the extension load cell cable	m	Approx. 100 m
Cross section of the load cell cable	mm ²	0.5 mm ²
Number of load cells connected		3 units
Summing box	Used / Not used	Used
Load cell model number and manufacturer		LC4221-K050 (A&D)
Load cell rated capacity		50.99 kg
Load cell rated output	mV/V	2.0394 mV/V
Load cell input resistance	Ω	400 Ω
Load cell output resistance	Ω	350 Ω
Load cell output at initial load *1	mV	approx. 4.0 mV
Load cell output at capacity or any load. *1	at mV	at 20.00 kg approx. 6.8 mV
Industrial Ethernet	Connected to	PLC

*1 Please refer to "12.2 Checking the connection to load cell with using a multimeter".

Digital multimeter measurement value

Measurement points		Measurement value
EXC+	EXC-	V
SIG+	SIG-	mV
EXC+	SEN+	V
EXC-	SEN-	V
SIG-	EXC-	V

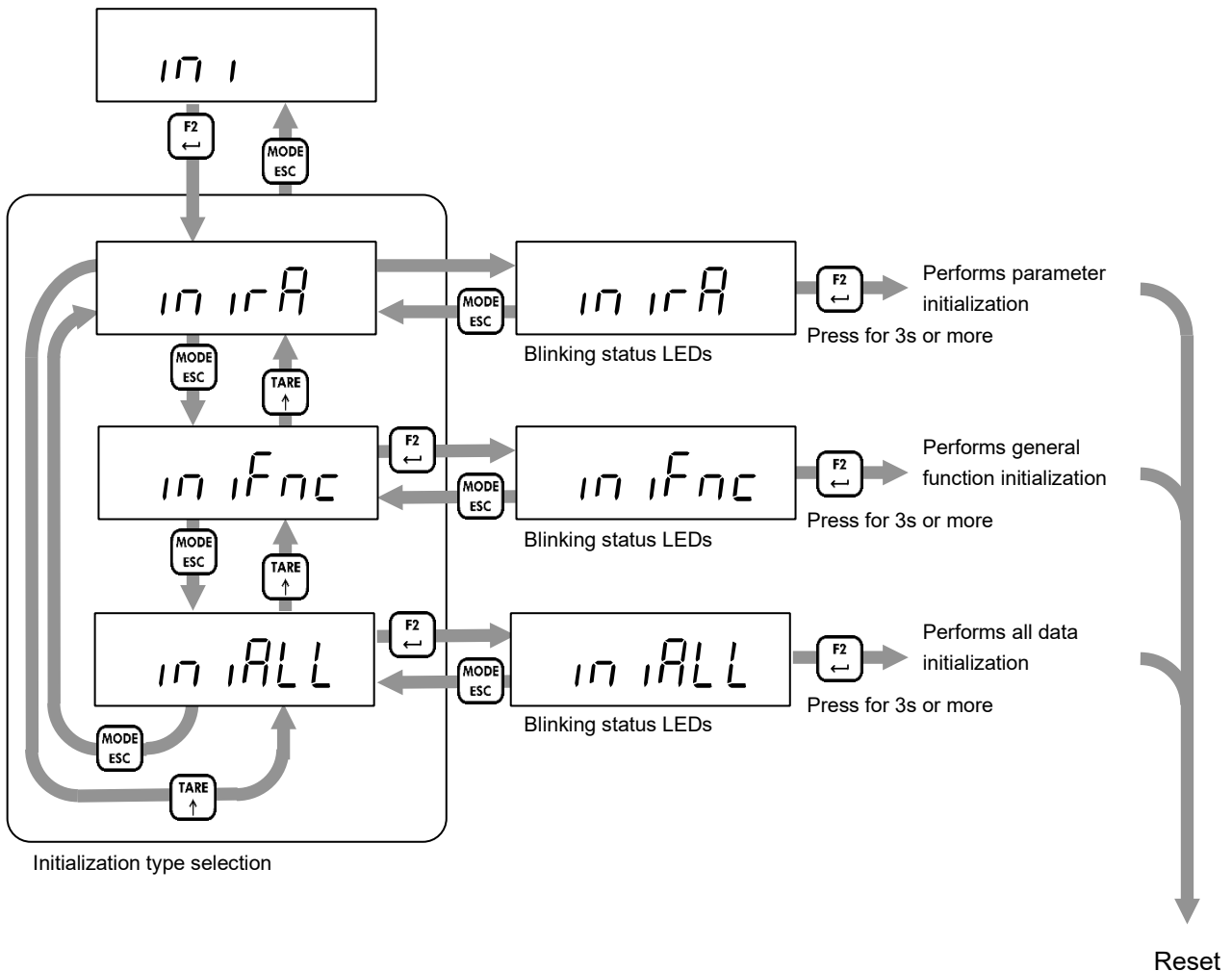
13. Initialization

You can initialize the internal values to their factory defaults in initialization mode if necessary.

There are three types of initialization, each affecting a different area. Please note that if all data is initialized, you have to calibrate AD-4411 again.

Initialization type	Initialization area		
	Zero-setting value, Tare value, Gross / Net display state	General function	Calibration function, Digital calibration function
Parameter initialization	✓		
General function initialization	✓	✓	
All data initialization	✓	✓	✓

Refer to "6 Operation mode" to enter initialization mode. See below for the procedure in initialization mode.



14. Setting functions

Functions for AD-4411 are classified as follows.

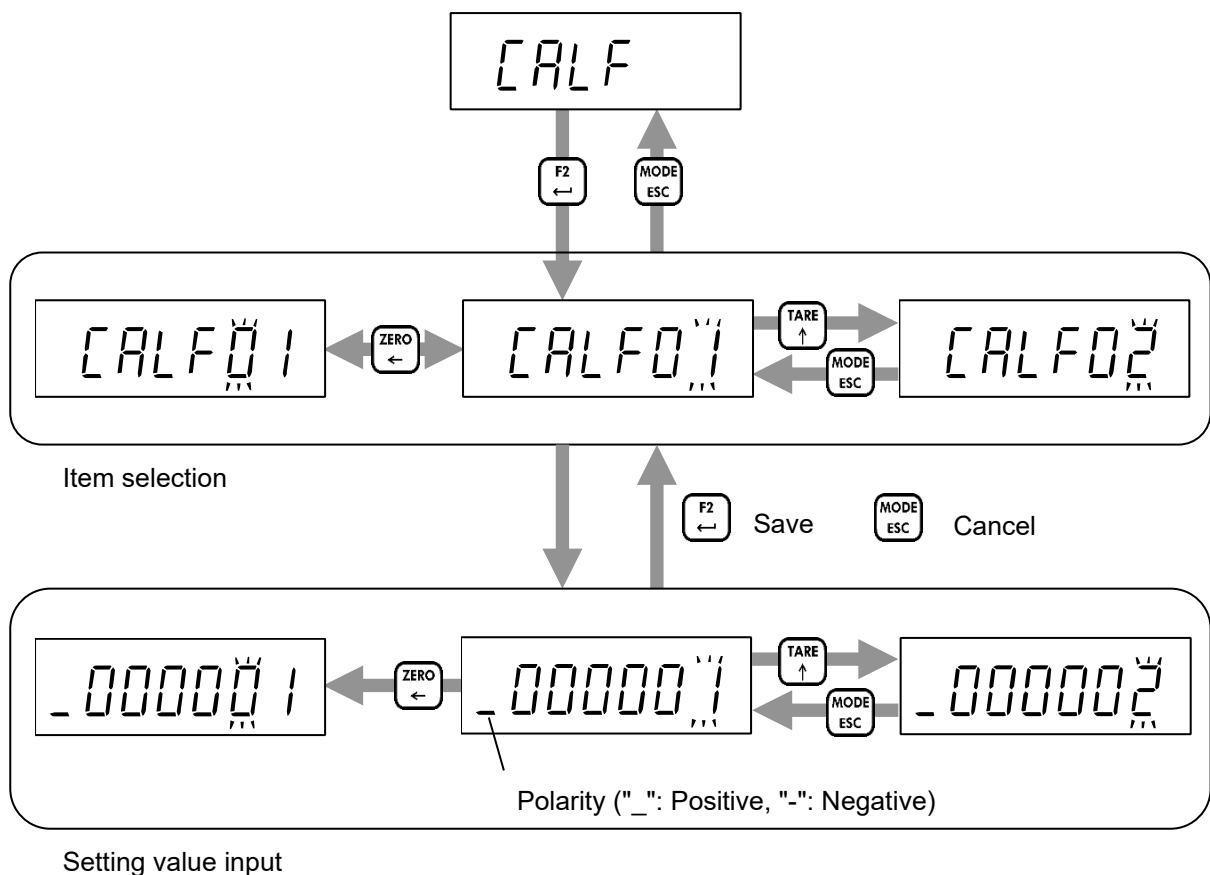
To change a setting value, go to the classification where that setting value is found.

Function name		Description
Calibration function		The setting values related to legally relevant parameters when AD-4411 is used for such purposes.
Digital calibration function		The setting values related to calibration that depends on the individual instrument.
General function	Basic function	The setting values related to measurement functions.
	IP function	The setting values related to communication.

14.1. Setting calibration function

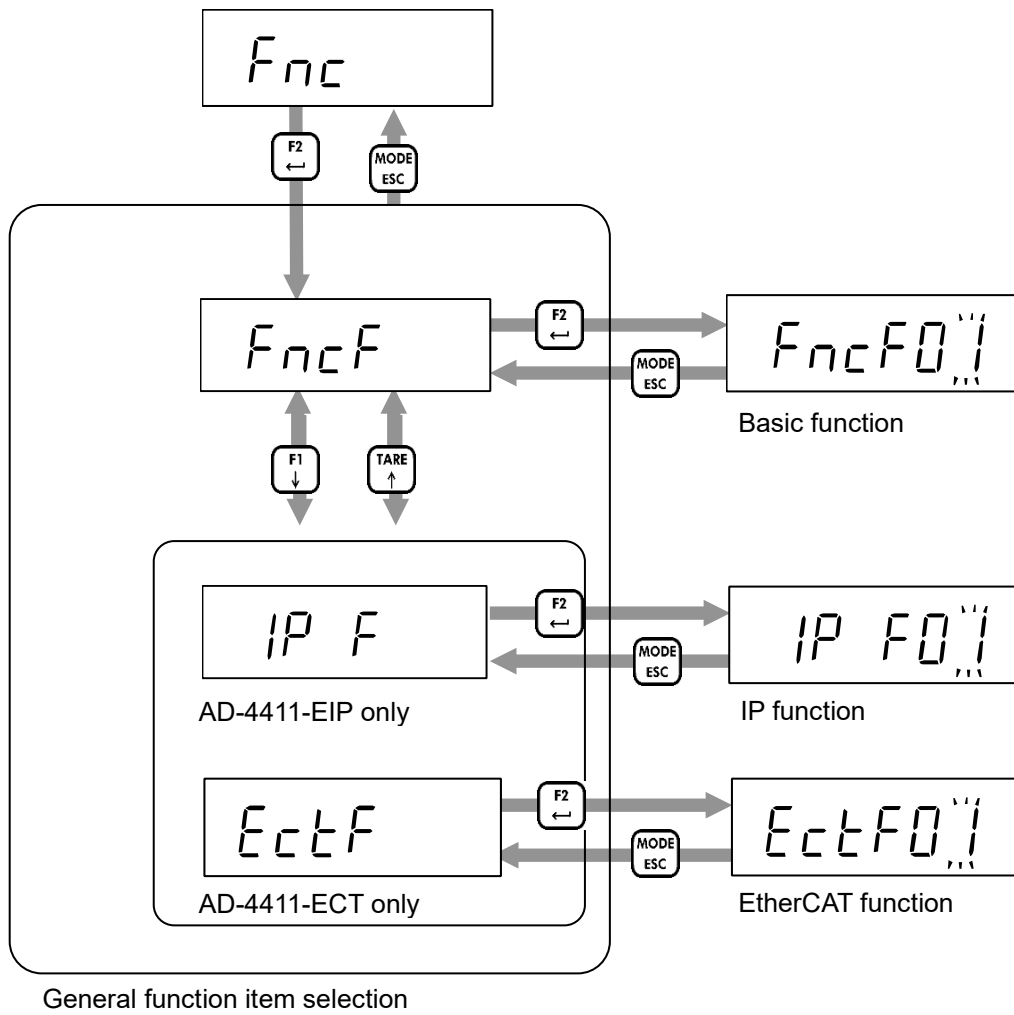
Refer to "6 Operation mode" to enter calibration function mode. The following explains how to change setting values.

Item selection	
[ZERO/←] key	Shifts the blinking digit to the left.
[TARE/↑] key	Increases the blinking digit by one.
[F1/↓] key	Decreases the blinking digit by one.
[F2/ENTER] key	Selects the displayed item and inputs the setting value.
[MODE/ESC] key	Return to mode selection.
Setting value input	
[ZERO/←] key	Shifts the blinking digit to the left.
[TARE/↑] key	Increases the blinking digit by one. Use the leftmost digit to change the polarity. An underscore (_) indicates a positive value and a hyphen (-) indicates a negative value.
[F1/↓] key	Decreases the blinking digit by one. Use the leftmost digit to change the polarity. An underscore (_) indicates a positive value and a hyphen (-) indicates a negative value.
[F2/ENTER] key	Saves the input setting value and returns to item selection.
[MODE/ESC] key	Cancel the input setting value and returns to item selection.



14.2. Setting general functions

Refer to "6 Operation mode" to enter general function mode. The general functions are grouped according to their functions. The following explains how to select a group.



15. Function setting lists

The columns of the function setting lists in this chapter indicate the following information.

FUNCTION	Modbus	Command		Setting item	Setting value	Default	User setting
		Read	Write				
01	400101	1101	10101	Unit	0: None / 1: g / 2: kg / 3: t	2	
(1)	(2)	(3)		(4)	(5)	(6)	(7)

(1) is the function number in function mode item selection.

(2) is the first data address to be accessed via Modbus. All data types are DWORD. Refer to "[10.3 Holding register data address](#)".

(3) is the command to be accessed via Industrial Ethernet. The left side shows the read command, and the right side shows the write command. Refer to "[9.4.2 Command and response](#)".

(4) is the setting item name.

(5) are the setting values and their meanings.

(6) is the factory default value. It returns to this value after initialization.

(7) is a note column for when the setting value is changed by the user.

15.1. Calibration function list

CALF	Modbus	Command		Setting item	Setting value	Default	User setting
		Read	Write				
01	400101	1101	10101	Unit	0: None / 1: g / 2: kg / 3: t	2	
02	400103	1103	10103	Decimal point position	0: 0 (No decimal point) 1: 0.0 2: 0.00 3: 0.000 4: 0.0000 5: 0.00000	0	
03	400105	1105	10105	Minimum division	1: 1 d 2: 2 d 3: 5 d 4: 10 d 5: 20 d 6: 50 d	1	
04	400107	1107	10107	Maximum capacity	1 to 999999	999999	
05	400109	1109	10109	Zero setting range	0 to 100 %	100	
06	400111	1111	10111	Zero tracking time	0.0 to 5.0 s *	0.0	
07	400113	1113	10113	Zero tracking width	0: Disable 4: 2.0 d 8: 4.0 d 1: 0.5 d 5: 2.5 d 9: 4.5 d 2: 1.0 d 6: 3.0 d 3: 1.5 d 7: 3.5 d	0	
08	400115	1115	10115	Stability detection time	0.0 to 9.9 s *	1.0	
09	400117	1117	10117	Stability detection width	0 to 100 d	2	
10	400119	1119	10119	Zero-setting at unstable	0: Disable / 1: Enable	1	
11	400121	1121	10121	Taring at unstable	0: Disable / 1: Enable	1	
12	400123	1123	10123	Taring at the negative gross	0: Disable / 1: Enable	1	
13	400125	1125	10125	Zero clear	0: Disable / 1: Enable	1	
14	400127	1127	10127	Power on zero	0: Disable / 1: Enable	0	
15	400129	1129	10129	Condition of negative overload	0: Gross < -(Maximum capacity + 8d) 1: Gross < -19d	0	
16	400131	1131	10131	NTEP	0: Disable / 1: Enable	0	
17	400133	1133	10133	Load cell connection type	0: 4-wire / 1: 6-wire	1	

* When accessed via Ethernet/Modbus, the decimal point position is ignored.

15.2. Digital calibration function list

dCAL	Modbus	Command		Setting item	Setting value	Default	User setting
		Read	Write				
01	401501	2501	11501	Load cell input signal at zero calibration	-7.00000 to 7.00000 mV/V *	0.00000	
02	401503	2503	11503	Load cell input signal (at span calibration – at zero calibration)	0.00001 to 7.00000 mV/V *	2.00000	
03	401505	2505	11505	Load value at span calibration	1 to 999999	20000	

* When accessed via Ethernet/ Modbus, the decimal point position is ignored.

15.3. Basic function list

FnCF	Modbus	Command		Setting item	Setting value	Default	User setting
		Read	Write				
01	400301	1301	10301	[ZERO/←] key lock	0: Disable / 1 : Enable	0	
02	400303	1303	10303	[TARE/↑] key lock	0: Disable / 1 : Enable	0	
03	400305	1305	10305	[F1/↓] key lock	0: Disable / 1 : Enable	0	
04	400307	1307	10307	[F2/ENTER] key lock	0: Disable / 1 : Enable	0	
05	400309	1309	10309	Function of [F1/↓] key	0: None	0	
06	400311	1311	10311	Function of [F2/ENTER] key	1: Tare clear 2: Zero clear 3: Gross / Net display selection 4: High resolution display selection	0	
07	400313	1313	10313	Condition to turn S1 status ON	0: None	0	
08	400315	1315	10315	Condition to turn S2 status ON	1: Hi	0	
09	400317	1317	10317	Condition to turn S3 status ON	2: OK 3: Lo 4: Zero setting error 5: Taring error 6: High resolution display selection	0	
10	400319	1319	10319	Digital filter cut-off frequency [Hz]	0: 273.0 17: 8.4 31: 0.84 1: 120.0 18: 7.0 32: 0.70 2: 100.0 19: 6.8 33: 0.68 3: 84.0 20: 5.6 34: 0.56 4: 70.0 21: 4.8 35: 0.48 5: 68.0 22: 4.0 36: 0.40 6: 56.0 23: 3.4 37: 0.34 7: 48.0 24: 2.8 38: 0.28 8: 40.0 25: 2.4 39: 0.24 9: 34.0 26: 2.0 40: 0.20 10: 28.0 27: 1.7 41: 0.17 11: 24.0 28: 1.4 42: 0.14 12: 20.0 29: 1.2 43: 0.12 13: 17.0 30: 1.0 44: 0.10 14: 14.0 45: 0.08 15: 12.0 46: 0.07 16: 10.0	30	
11	400321	1321	10321	Upper limit value	-999999 ~ 999999	10	
12	400323	1323	10323	Lower limit value	-999999 ~ 999999	-10	
13	400325	1325	10325	Comparison target for upper / lower limit value	1: Gross / 2: Net	1	

15.4. IP function list

The following functions are valid only for AD-4411-EIP.

IP F	Modbus	Command		Setting item	Setting value	Default	User setting
		Read	Write				
				IP Address XXX. XXX. XXX. XXX			
01	401601	2601	11601		0 to 255	192	
02	401603	2603	11603		0 to 255	168	
03	401605	2605	11605		0 to 255	0	
04	401607	2607	11607		0 to 255	2	
				Subnet mask XXX. XXX. XXX. XXX			
05	401609	2609	11609		0 to 255	255	
06	401611	2611	11611		0 to 255	255	
07	401613	2613	11613		0 to 255	255	
08	401615	2615	11615		0 to 255	0	
				Default gateway XXX. XXX. XXX. XXX			
09	401617	2617	11617		0 to 255	0	
10	401619	2619	11619		0 to 255	0	
11	401621	2621	11621		0 to 255	0	
12	401623	2623	11623		0 to 255	0	

15.5. EtherCAT function

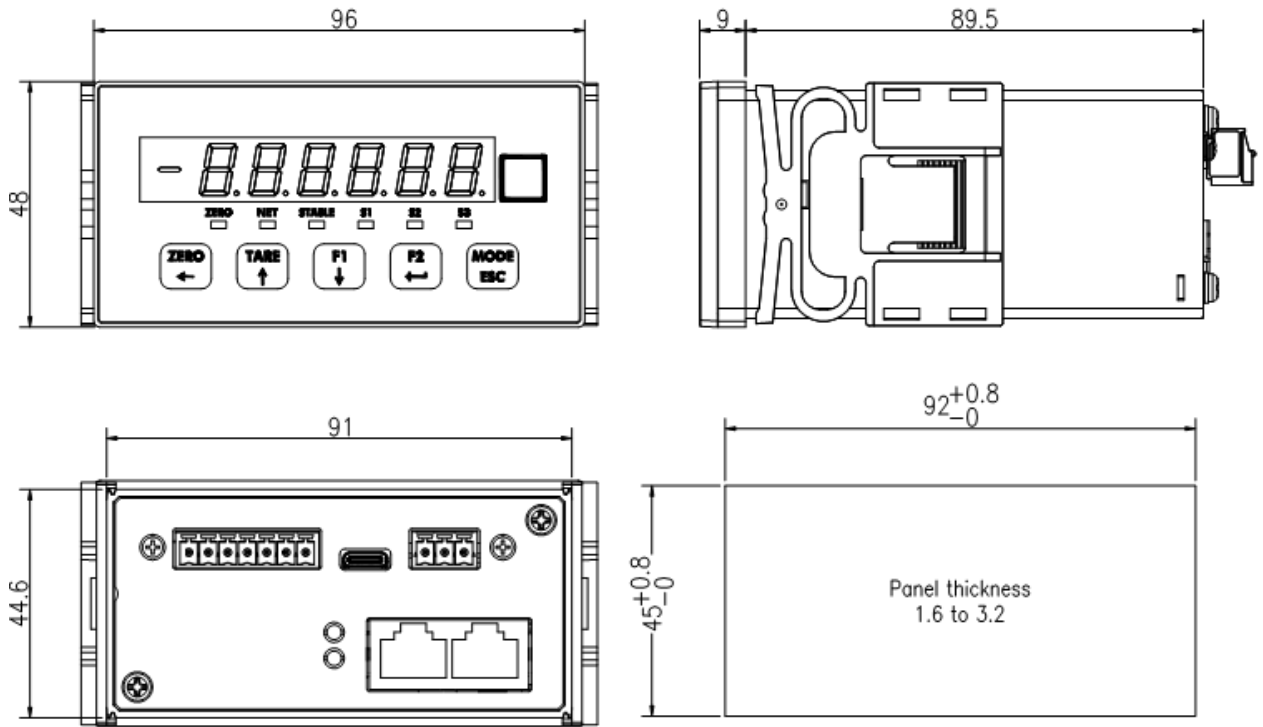
The following functions are valid only for AD-4411-ECT.

FuncF	Modbus	Command		Setting item	Setting value	Default	User setting
		Read	Write				
01	400701	1701	10701	Explicit Device ID	0: Disable 1 to 65535	0	

16. Specifications

Dimension	96(W) x 48(H) x 98.5(D) mm	
Installation method	Panel mount	
Operating temperature and humidity range	-10°C to +40°C Less than 85% RH, non-condensing	
IP rating	When the indicator is installed to the control panel: Outside of the control panel: IP65 Inside of the control panel: IP2X	
Power supply		
	Power supply voltage	DC24V -15% to +10%
	Power consumption	4.5W max
Load cell input		
	Excitation voltage	DC5V \pm 5% 90 mA Up to six 350 Ω load cells can be connected in parallel. 6-wire type with remote sensing
	Signal input range	-7.0 mV/V to 7.0 mV/V
	Minimum input sensitivity	0.15 μ V/d or more (d=minimum division)
	Nonlinearity	0.005% of F.S. max.
	Temperature coefficient	Zero drift: \pm 0.02 μ V/°C Typ. \pm 0.1 μ V/°C max. Span drift: \pm 3ppm/°C Typ. \pm 15ppm/°C max.
	Sampling rate	1200 times/s
Display		
	Main display	7-digit LED (green) with character height of 10 mm
	Status display	LED (red) x 6
	Unit	Attach the g / kg / t label
Key switches	x 5	
External interface		
Industrial Ethernet	AD-4411-EIP	EtherNet/IP
	AD-4411-PRT	PROFINET
	AD-4411-ECT	EtherCAT
USB	Type-C connector, USB 2.0 (Full-speed)	

External dimensions



Unit: mm



A&D Company, Limited

3-23-14 Higashi-Ikebukuro, Toshima-ku, Tokyo 170-0013, JAPAN
Telephone: [81] (3) 5391-6132 Fax: [81] (3) 5391-1566

A&D ENGINEERING, INC.

47747 Warm Springs Blvd, Fremont, California 94539, U.S.A.
Tel: [1] (800) 726-3364 Weighing Support:[1] (888) 726-5931 Inspection Support:[1] (855) 332-8815

A&D INSTRUMENTS LIMITED

Unit 24/26 Blacklands Way, Abingdon Business Park, Abingdon, Oxfordshire OX14 1DY United Kingdom
Telephone: [44] (1235) 550420 Fax: [44] (1235) 550485

A&D AUSTRALASIA PTY LTD

32 Dew Street, Thebarton, South Australia 5031, AUSTRALIA
Telephone: [61] (8) 8301-8100 Fax: [61] (8) 8352-7409

A&D KOREA Limited

한국에이.엔.디(주)
서울특별시 영등포구 국제금융로6길33 (여의도동) 맨하탄빌딩 817 우편 번호 07331
(817, Manhattan Bldg., 33. Gukjegeumyung-ro 6-gil, Yeongdeungpo-gu, Seoul, 07331 Korea)
전화: [82] (2) 780-4101 팩스: [82] (2) 782-4264

OOO A&D RUS

ООО "ЭЙ энд ДИ РУС"

Почтовый адрес:121357, Российская Федерация, г.Москва, ул. Вереysкая, дом 17
Юридический адрес: 117545, Российская Федерация, г. Москва, ул. Дорожная, д.3, корп.6, комн. 86
(121357, Russian Federation, Moscow, Vereyskaya Street 17)
тел.: [7] (495) 937-33-44 факс: [7] (495) 937-55-66

A&D Instruments India Private Limited

ऐ&डी इन्स्ट्रुमेंट्स इण्डिया प्रा० लिमिटेड

509, उद्योग विहार , फेस -5, गुडगांव - 122016, हरियाणा , भारत
(509, Udyog Vihar, Phase-V, Gurgaon - 122016, Haryana, India)
फोन : [91] (124) 4715555 फैक्स : [91] (124) 4715599

A&D SCIENTECH TAIWAN LIMITED. A&D台灣分公司 艾安得股份有限公司

台灣台北市中正區青島東路5號4樓
(4F No.5 Ching Tao East Road, Taipei Taiwan R.O.C.)
Tel : [886](02) 2322-4722 Fax : [886](02) 2392-1794

A&D INSTRUMENTS (THAILAND) LIMITED

บริษัท เอ แอนด์ ดี อินสตรูमेंท์ (ไทยแลนด์) จำกัด

168/16 หมู่ที่ 1 ตำบลรังสิต อำเภอธัญบุรี จังหวัดปทุมธานี 12110 ประเทศไทย
(168/16 Moo 1, Rangsit, Thanyaburi, Pathumthani 12110 Thailand)
Tel : [66] 20038911