

# Weighing Indicators for Ethernet based Field Networks

## AD-4411 series

**AND**  
A&D Company, Ltd.



AD-4411-EIP (EtherNet/IP)

**EtherNet/IP**

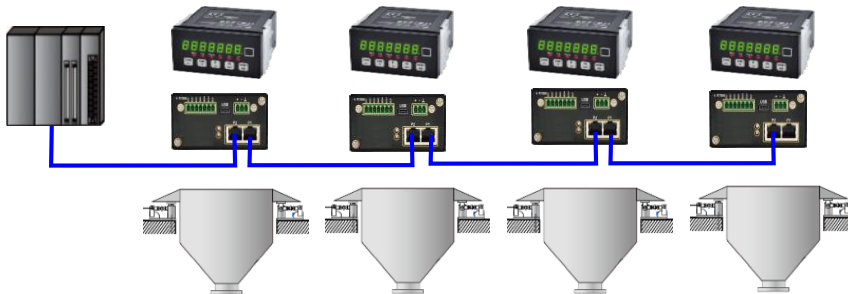
AD-4411-PRT (PROFINET)

**PROFINET**

AD-4411-ECT (EtherCAT)

**EtherCAT**

Daisy-chain connection is possible without a switching hub thanks to two communication ports,

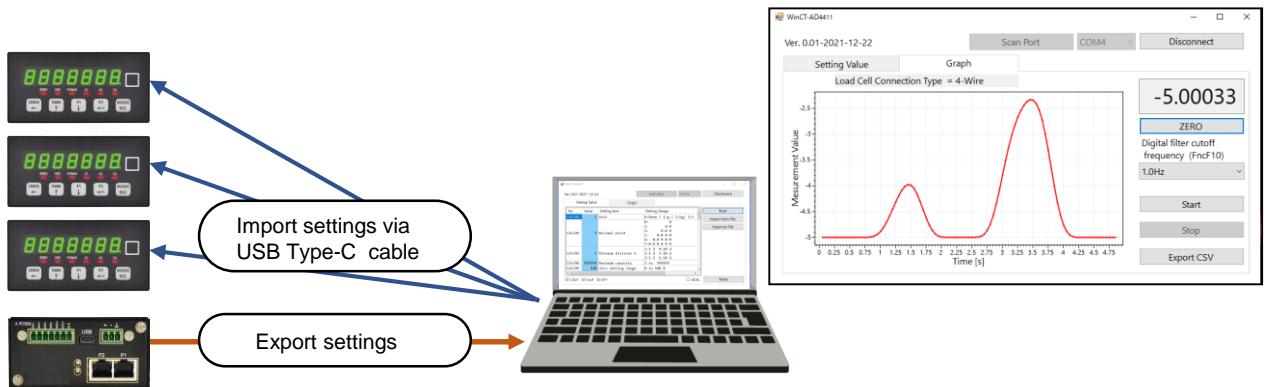


- ◆ High speed A/D signal conversion, 1200 times/s
- ◆ HPDF - High Performance Digital Filter  
Greatly reduces the cost and maintenance of anti-vibration equipment since it handles vibrations without requiring extensive mechanical vibration countermeasures.
- ◆ Rear USB port for easier update of Weighing Indicator settings.  
Weighing Indicator settings can be easily updated from a PC via the rear USB port.
- ◆ DIN 96 x 48 compact size
- ◆ Easy load cell connection type setting (4/6 wires)  
Saves time spent on connecting load cells.

**Discover Precision**

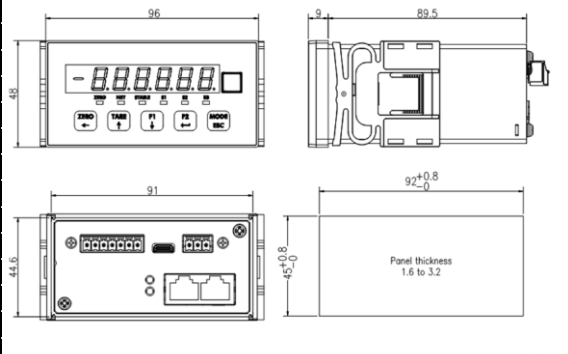
# Settings can be updated from PC via USB port using our freely available software.

- Can import/save internal settings to PC, and then export the same settings to other units.
- Monitors measured values and check the effect of HPDF as a graph in real time.



| Specifications                     |   |
|------------------------------------|---|
| Input Sensitivity                  | 0.15μV/d or more (d= Minimum division)                        |
| Zero Adjustment Range              | -35mV ~ +35mV   |
| Load Cell Excitation               | DC5V, Remote Sensing<br>(upto 6 load cells at 350Ω/load cell) |
| Zero Temp. Coefficient             | +/- 0.02μV/°C(Typ.), +/- 0.1μV/°C(Max.)                       |
| Span Temp. Coefficient             | +/-3ppm/°C(Typ.), +/- 15ppm/°C(Max.)                          |
| Non-Linearity                      | 0.005% of F.S.  |
| Maximum measurement voltage        | 35mV  |
| A/D conversion Method              | Delta Sigma   |
| A/D Resolution                     | 16,000,000  |
| Maximum Display Resolution         | +/- 999,999d  |
| A/D conversion Rate                | 1,200 times/sec.  |
| Display                            |   |
| Main display                       | 7-digit LED(Green) with character height 10mm<br>Gross/Net    |
| Status display                     | LED(Red) X 6  |
| Unit                               | Attching g/kg/t label   |
| External interface                 |   |
| Field network                      |   |
| AD-4411-EIP                        | EtherNet/IP   |
| AD-4411-PRT                        | PROFINET  |
| AD-4411-ECT                        | Ether CAT   |
| (USB)                              | For Maintenance<br>Type-C connector, USB 2.0 (Full-speed)     |
| Power supply Voltage               | DC24V -15% to +10%  |
| Power consumption                  | 4.5W Max  |
| Operating Temp. and humidity range | -10~+40°C<br>Less than 85%RH, non-condensing)                 |
| Dimension                          | 96(W)X48(H)X98.5(D)mm   |
| Weight                             | 220g approx.  |

## External dimension



## Discover Precision

A&D Company, Ltd. (JAPAN)  
 URL: aandd.jp  
 A&D Engineering, Inc. (USA)  
 URL: andonline.com  
 A&D Australasia Pty Ltd. (Australia)  
 URL: andaustralasia.com.au  
 A&D Instruments Ltd. (United Kingdom)  
 URL: andprecision.com  
 <German Sales Office>  
 URL: andprecision.com

A&D Korea Ltd. (South Korea)  
 URL: andk.co.kr  
 A&D Rus Co., Ltd. (Russia)  
 URL: and-rus.ru  
 A&D Instruments India (P) Ltd. (India)  
 URL: aanddindia.in  
 A&D Scientech Taiwan Ltd. (Taiwan)  
 URL: aandd.com.tw  
 A&D Instruments Thailand Ltd. (Thailand)  
 URL: thai.andprecision.com

**NOTE: Appearance and specifications are subject to change for improvement without notice.**

\*AD4411-ADCT-00-AD1-233000