

# GOLD / PLATINUM TESTER GK

< PRECIOUS METAL TESTER >

*Easy and accurate Gold K, PT testing*



## GK-300

Capacity 0.01-300g  
Gold testing : K9-24 & %  
Density testing



## GK-2000

Capacity 0.01-2100g  
Gold testing : K9-24 & %  
Platinum testing : Pt600-1000 & %  
Density testing

# Precious Metal Tester GK Series

GK series are the GOLD TESTER with our developed soft ware which evaluates purity of Precious Metals.

## Features

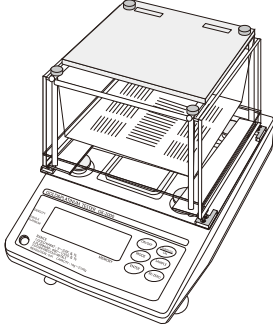
- GKs can check purity to confirm if marked stamp on gold (platinum) is correct or not.  
GKs are very useful to check most common type of fake gold: lower purity than marked stamp on gold (platinum).
- Gold (platinum) which outside covered real gold (platinum), and inside with other metal can be detected.
- Non-gold (platinum) metals can be distinguished.
- Function: Model GK-2000  
Gold••••K9 to 24(increments of 1), percentage(%) and density  
※Alloyed metals for calculation are set Silver and Copper  
Platinum••••PT600 to 1000(increments of 50) percentage(%) and density  
※Alloyed metals for calculation are set Palladium, Ruthenium, and Cobalt  
Function: Model GK-300  
Gold••••K9.10.12.14.16.18.20.21.22.23.24, percentage(%) and density  
※Alloyed metals for calculation are set Silver and Copper  
Platinum or other••••check with density

## Precious metals which can not be tested with GKs.

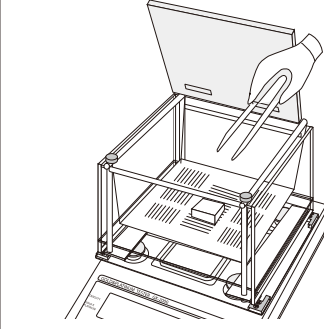
- With hallow.
- With any stones (Have to remove them when testing)
- Materials which have close density to gold (platinum)

## Easy operation in 20 Sec.

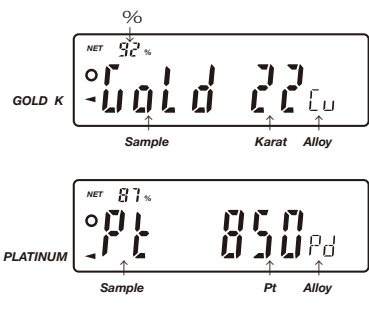
**① Measure weight in air**



**② Measure weight in water**



**③ Result**



## Specification

Item Code	101-003	101-002
Model	GK-2000	GK-300
Measuring range	0.01 - 2100g	0.01 - 300g
Minimum necessary weight	10 g	5 g
Display	Gold : (Lo, K9, 10, 11, 12, 13, 14, 15, 16, 17, 18, 19, 20, 21, 22, 23, 24) Purity (%), Density Platinum : (Lo, Pt 600, 650, 700, 750, 800, 850, 900, 950, 1000), Purity (%), Density	Gold : (Lo, K9, 10, 12, 14, 16, 18, 20, 21, 22, 23, 24), Purity (%), Density
Power supply	AC115 to AC240V	
Weight / Dimension	5.50 kg / 317 x 210 x 235 mm	1.54 kg / 218 x 190 x 170 mm
Option	Printer AD-8121B, 2kg calibration weight	Printer AD-8121B, Airtight windshield

Produced by

**ALFA MIRAGE Co., Ltd.**

3-2-19, Miyakojimahondori, Miyakojima-ku  
Osaka, 534-0021, JAPAN  
TEL : +81-6-6924-2631 FAX : +81-6-6924-2022  
URL : www.alfamirage.com  
E-mail : sales@alfamirage.com

PLEASE CONTACT: